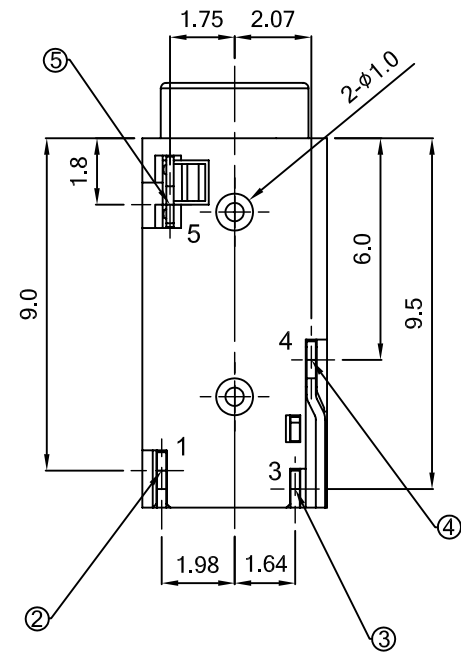
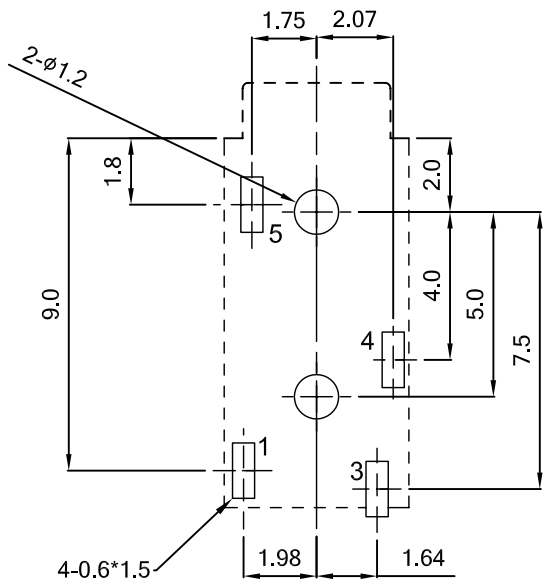
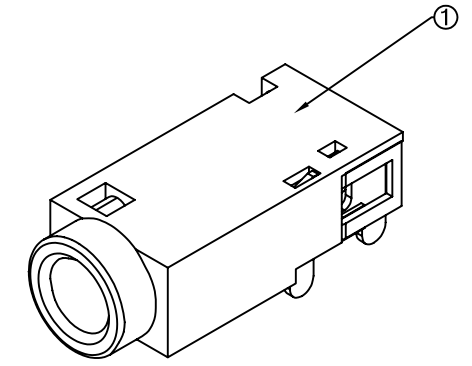
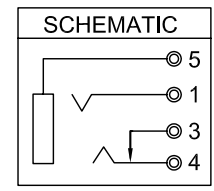
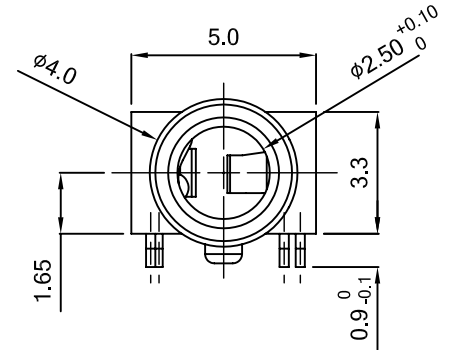
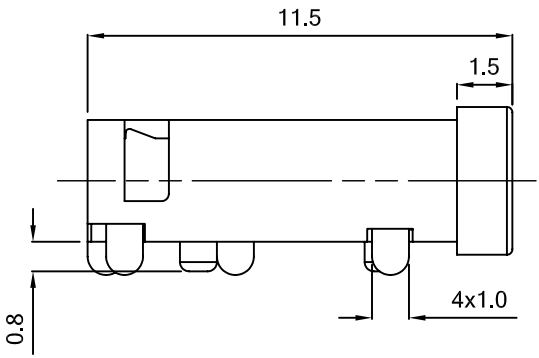


REV.	ECN. NO.	DESCRIPTION	ENG	DATE
A		ISSUED	BOLIN	6/26/06
B		CORRECTED BOM, ADDED NOTES	BOLIN	2/11/11



RECOMMENDED PCB LAYOUT  
 <BOTTOM VIEW>  
 NOTE: TOLERANCE FOR PCB LAYOUT IS = ±0.05

- NOTES:**
- RATINGS
    - CURRENT RATING: 0.3 AMPERE
    - VOLTAGE RATING: 16 VOLTS DC
  - ELECTRICAL
    - CONTACT RESISTANCE:
      - PLUG TO CONTACTS 50 mΩ MAX
      - CONTACT TO SHUNT 30 mΩ MAX
    - INSULATION RESISTANCE: 250 M OHMS
    - DIELECTRIC WITHSTANDING VOLTAGE: 250 AC
  - RESISTANCE TO SOLDERING HEAT:
    - WITHSTAND 265° C / 5 SECONDS WITHOUT BREAKDOWN
  - RoHs 6 / 6 COMPLIANT

ITEM	NAME	Q'TY	MATERIAL	FINISH
5	GND CONTACT	1	PHOSPHOR BRONZE	SILVER 50u" MIN OVER Ni 30u" MIN
4	T-CONTACT	1	PHOSPHOR BRONZE	SILVER 50u" MIN OVER Ni 30u" MIN
3	T-SHUNT	1	BRASS	SILVER 50u" MIN OVER Ni 30u" MIN
2	R-CONTACT	1	Ti-Cu	SILVER 50u" MIN OVER Ni 30u" MIN
1	HOUSING	1		

GENERAL TOLERANCE X.± .X± 0.30 .XX± 0.20 .XXX±	ANGLE TOLERANCE X°± .X°± .XX°± .XXX°±	DRAWN BOLIN	DATE 6/26/06		TITLE Ø2.5mm EARPHONE JACK PLASTIC BUSHING
MATERIAL SEE BOM		CHECKED	DATE		PART NUMBER AJ2.5-144-X
FINISH SEE NOTES		APPROVED	DATE	DRAWING NO. GTI11-30017	SIZE A4 REV. B
SCALE N/A		UNIT mm		SHEET 1 OF 4	