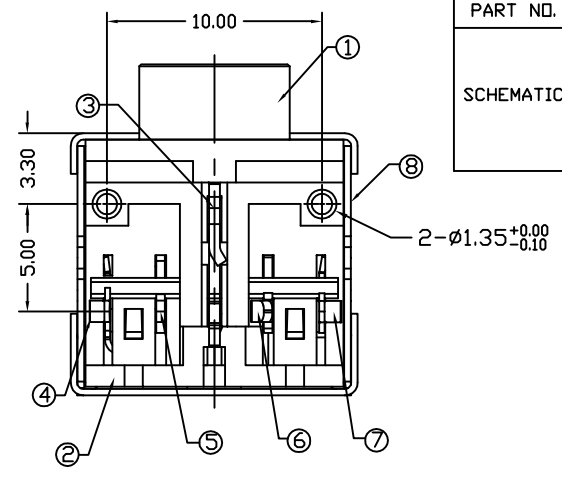


Recommended PCB Layout
(BOTTOM VIEW)



PART NO.	AJ3.5-014-A	AJ3.5-014-B	AJ3.5-014-C	AJ3.5-014-D
SCHEMATIC				

ITEM	NAME	MATERIAL	FINISH	QTY	NOTE
8	SHIELD	BRASS	Tin	1	
7	T CONTACT	PBS	Tin	1	
6	T SHUNT	BRASS	Tin	1	
5	R SHUNT	BRASS	Tin	1	
4	R CONTACT	PBS	Tin	1	
3	GND CONTACT	BRASS	Tin	1	
2	COVER	PBT	UL94V-0	1	
1	HOUSING	PBT	UL94V-0	1	

TOLERANCE			TITLE:					
LINEAR	ANGLES		Ø 3.5mm EARPHONE JACK					
X. ±	X° . ±		PART NO. AJ3.5-014-X					
.X ± 0.3	.X° ±		DWG NO.					
.XX ± 0.2	.XX° ±	APPD:	MAT'L:	UNITS		SCALE	SHEET	REV
.XXX ± 0.1	.XXX° ±	CHKD:	FINISH:	MM	NONE	1 OF 1	A	
		DRWN:	Q' TY:					

REV	ISSUED	JANE	06/26/06'
	ECN NO.	NAME	DATE