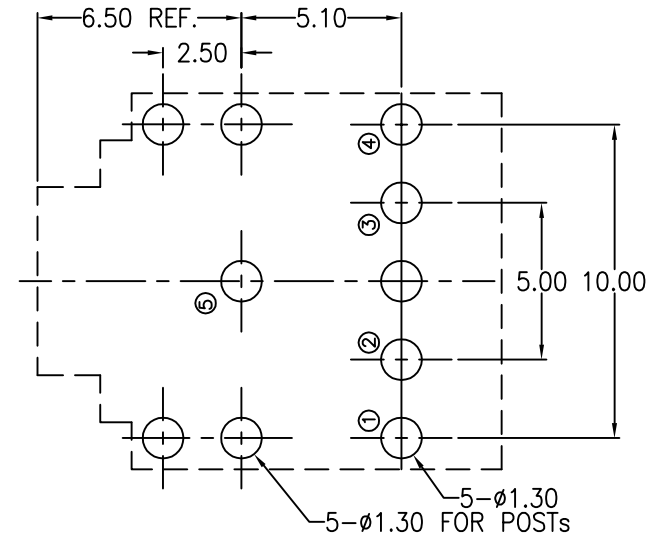


SCHEMATIC	COVER	PART NO.
	WITH	AJ3.5-019-A-Y
	WITHOUT	AJ3.5-019-A-N
	WITH	AJ3.5-019-B-Y
	WITHOUT	AJ3.5-019-B-N
	WITH	AJ3.5-019-C-Y
	WITHOUT	AJ3.5-019-C-N
	WITH	AJ3.5-019-D-Y
	WITHOUT	AJ3.5-019-D-N



Recommended PCB Layout  
[BOTTOM VIEW]

TOLERANCE				TITLE:				
LINEAR	ANGLES			3.5mm Earphone Jack				
X.±	X°.±	APPD:	MAT'L:	PART NO. AJ3.5-019-X-X				
.X±0.3	.X°.±	CHKD:	FINISH:	DWG NO.				
.XX±0.2	.XX°.±	DRWN:	Q'TY:		UNITS	SCALE	SHEET	REV
.XXX±	.XXX°.±				MM	NONE	1 OF 4	A

REV	ISSUED	JANE	06/26/06
REV	ECN NO.	NAME	DATE
A			