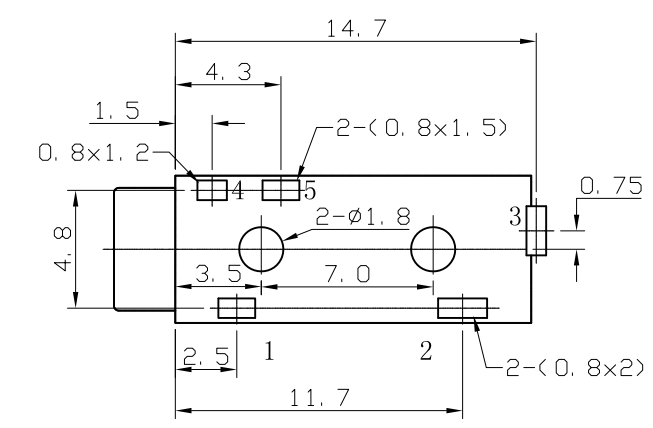


P. C. B LAYOUT
TOP VIEW



NOTES:

1. Rating : DC 30V 0.5A;
2. Contact resistance: $\leq 0.03 \Omega$;
3. Insulation resistance: $\geq 100M \Omega$ (DC250V);
4. Withstand voltage: 500VAC ;
5. Insertion and extraction force: 3-20N;
6. life test: 5,000 cycles.
7. RoHS Compliant

PART NO.	AJ3. 5-047-A-2	AJ3. 5-047-B-2	AJ3. 5-047-C-2	AJ3. 5-047-D-2	AJ3. 5-047-E-2	AJ3. 5-047-F-2
SCHEMATIC						

NO.	DESCRIPTION	QTY	MATERIAL	PLATING
7	COVER	1	PBT	
6	HOUSING	1	PBT	
5	CONTACT FOOT	1	SUS301	Ag-Plating
4	CURVE PIECE	1	BRASS	Ag-Plating
3	CURVE PIECE	1	BRASS	Ag-Plating
2	SPRING	1	PHOSPHOR BRONZE	Ag-Plating
1	CONTACT FOOT	1	SUS301	Ag-Plating

TOLERANCE	
LINEAR	ANGLES
X. ±	X° . ±
. XX ± 0. 2	. XX° ±
. XXX ± 0. 1	. XXX° ±

GENESIS TECHNOLOGY, INC
A Genesis Electro-Mechanical Company
7F, No. 191, Sec. 2
Chung-Yang Rd.,
Tu-Cheng City
Talpei Hsien, Taiwan

TITLE:		3. 5Ø EARPHONE JACK THROUGH HOLE TYPE			
PART NO.		AJ3. 5-047-X-2			
DWG NO.		GTI09-25034			
	UNITS	SCALE	SHEET	REV	
	MM	NONE	1 OF 1	B	

REV	DESCRIPTION	NAME	DATE	APPD:	MAT' L:	CHKD:	FINISH:	Q' TY:
B	Modify drawing	Vegas	04/08/09'					
A	ISSUED	JANE	06/26/06'					
REV	ECN NO.	NAME	DATE					