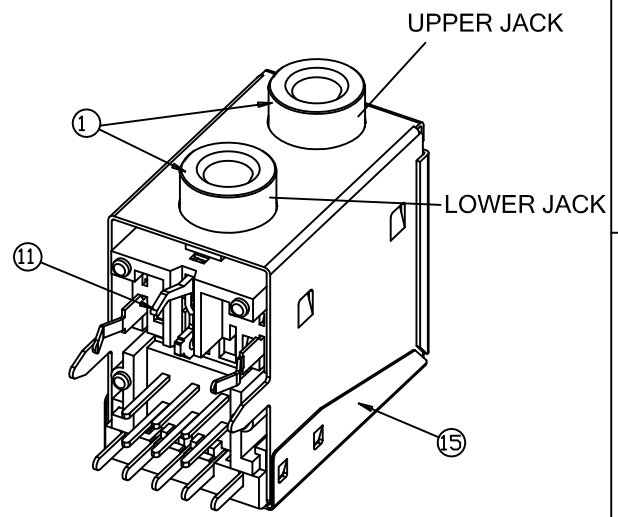
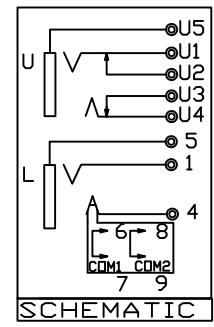
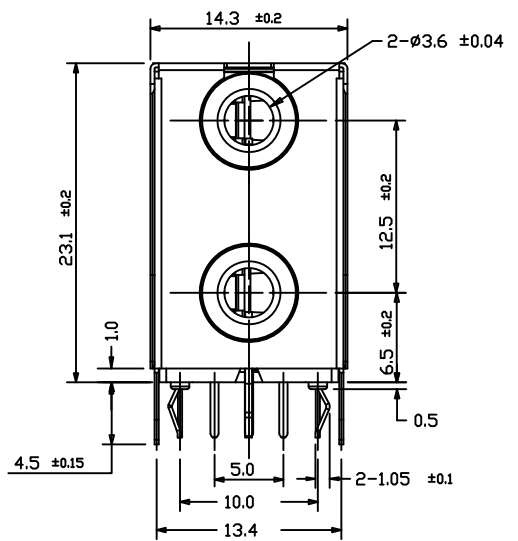
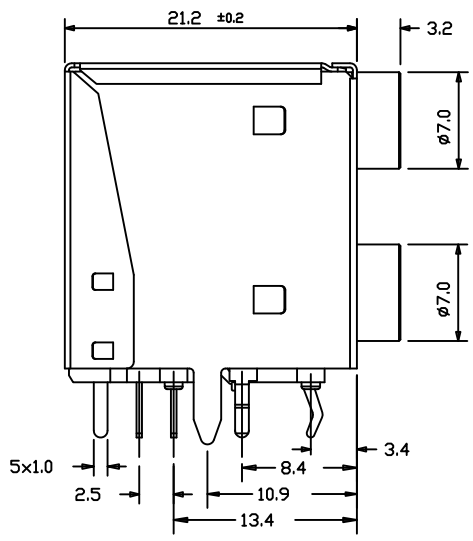


1 2 3 4 5 6 7 8

A

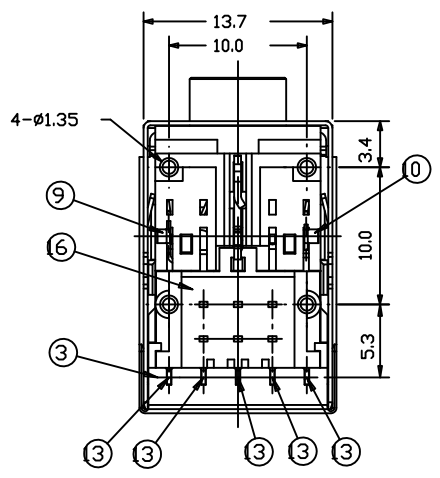
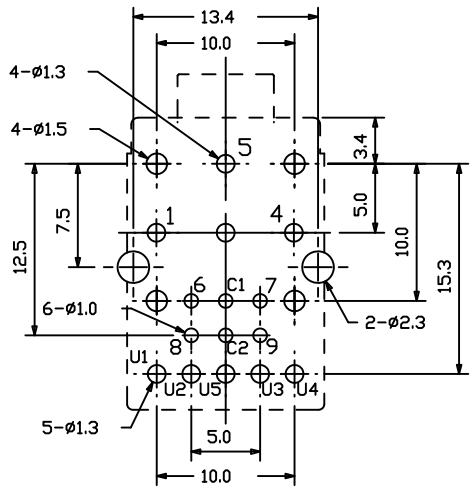


ORDER INFORMATION:
AJ3.5-054-X
1.

1. COLOR OPTION:
X= 1, UPPER JACK: LIME
LOWER JACK: PINK
X= 2, UPPER JACK: BLACK
LOWER JACK: BLACK
X= 3, UPPER JACK: LIME
LOWER JACK: BLACK

B

C



17	PCB	FR4		1	
16	2P2T SWITCH			1	
15	SHIELD (BACK)	BRASS	NI	1	
14	SHIELD (FRONT)	BRASS	NI/TIN	1	
13	BRIDGE	BRASS	Tin	5	
12	GND-CONTACT	BRASS	Tin	1	
11	GND-CONTACT	BRASS	Tin	1	
10	T-CONTACT	PBS	Tin	1	
9	R-CONTACT	PBS	Tin	1	
8	T-CONTACT	PBS	Au	1	
7	T-SHUNT	BRASS	Au	1	
6	R-SHUNT	BRASS	Au	1	
5	R-CONTACT	PBS	Au	1	
4	FIXER	PBT		1	
3	GRAFTING	PBT		1	
2	COVER	PA-9T		1	
1	HOUSING	PBT		2	
ITEM	DESCRIPTION	MATERIAL	FINISH	QTY'	NOTE

D

E

[B]	CHANGE MATERIAL AND ADD COLOR OPTION & DWG NO.	Kevin	4/15/09'	TOLERANCE		APPD:	MAT'L:	TITLE: STACKED 3.5 PHONE JACK FULLY SHIELD				
				LINEAR	ANGLES			PART NO. AJ3.5-054-X				
[A]	ISSUED	AXL	8/30/06'	.X ± 0.30	.X° ± 3°	CHKD:	FINISH:	DWG NO. GTI09-20057				
REV	ECN NO.	NAME	DATE	.XX ± 0.20	.XX° ±	DRWN: AXL	Q'TY:	[Symbol]	UNITS	SCALE	SHEET	REV
				.XXX ± 0.20	.XXX° ±			MM	NONE	1 OF 1	B	

1 2 3 4 5 6 7 8