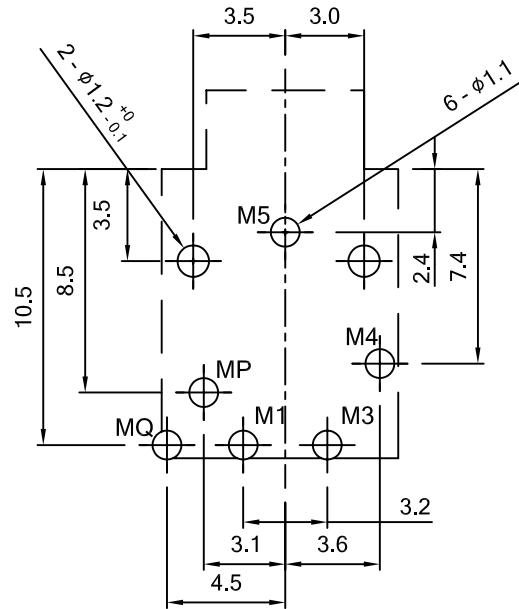
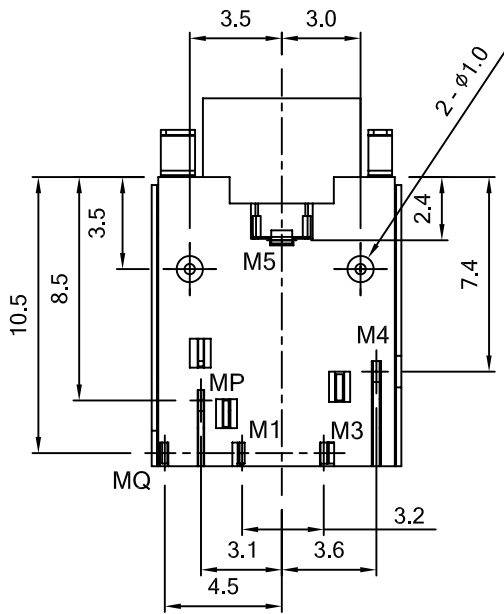
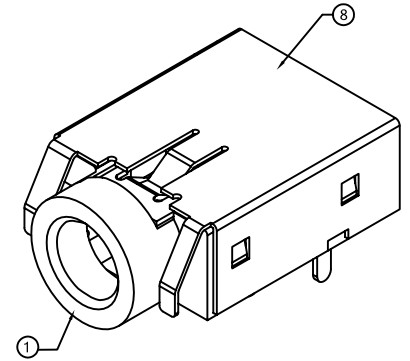
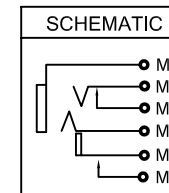


ORDER INFORMATION  
AJ3.5-057-X

COLOR OPTION:  
P=PINK #701C  
G=LIME #359C  
B=BLUE #284C  
K=BLACK  
C=GRAY #422C  
R=RED #032C  
L=GREEN #355C



RECOMMENDED PADS LAYOUT  
<BOTTOM VIEW>  
NOTE: TOLERANCE FOR PCB LAYOUT IS = ±0.05



**[B] NOTES:**

1. RATINGS
  - a. VOLTAGE RATING: 16 V DC
  - b. CURRENT RATING: 0.3 AMPERE
  - c. OPERATING TEMPERATURE: -25°C ~ +85°C
2. ELECTRICAL
  - a. CONTACT RESISTANCE: PLUG TO CONTACT 50mΩ MAX  
CONTACT TO SHUNT 30mΩ MAX
  - b. INSULATION RESISTANCE: 100 M OHMS MIN
  - c. DIELECTRIC WITHSTANDING VOLTAGE: 500 V AC/RMS
3. RESISTANCE TO SOLDERING HEAT: 265°C ± 5°C FOR 5 SECONDS
4. RoHs 6 / 6 COMPLIANT

ITEM	NAME	MATERIAL	QTY	FINISH
8	SPRINGY SHIELD	PHOSPHOR BRONZE	1	Ni 30u" MIN
7	CN/OS CONTACT (ME/MP)	PHOSPHOR BRONZE	1	TIN 80u" MIN OVER Ni 30u" MIN
6	CS/ONCONTACT (MF/MQ)	PHOSPHOR BRONZE	1	TIN 80u" MIN OVER Ni 30u" MIN
5	GROUND (M5)	PHOSPHOR BRONZE	1	TIN 80u" MIN OVER Ni 30u" MIN
4	T-CONTACT (M4)	Tc-Cu	1	SILVER 30u" MIN OVER Ni 30u" MIN
3	T-SHUNT (M3)	BRASS	1	SILVER 30u" MIN OVER Ni 30u" MIN
2	R-CONTACT (M1)	PHOSPHOR BRONZE	1	TIN 80u" MIN OVER Ni 30u" MIN
1	HOUSING	PA-9T+30% GF, UL94V-0	1	

TOLERANCE	
LINEAR	ANGLES
.X ±	.X° ± 5°



TITLE: **Ø3.5mm EARPHONE JACK  
3 POLES W / EXTRA SWITCH**

PART NO. AJ3.5-057-X

DWG NO. GT14-300148

REV	ECN NO.	NAME	DATE	.XXX ±	.XXX° ±	DRWN:	Q' TY:
[B]	CORRECTED BOM ADDED NOTES	FOX	06/23/06'	.X ± 0.3	.X° ± 3°	APPD:	MAT' L:
[A]	ISSUED	JANE	06/28/06'	.XX ± 0.2	.XX° ±	CHKD:	FINISH:

UNITS	SCALE	SHEET	REV
MM	NONE	1 OF 1	B