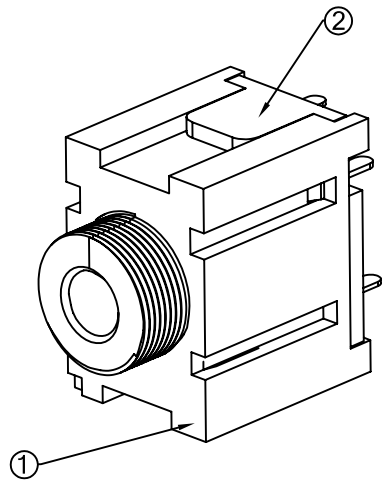
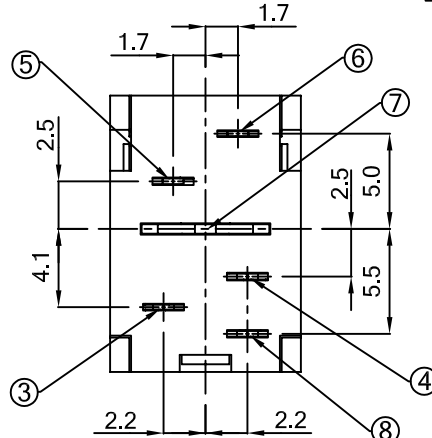
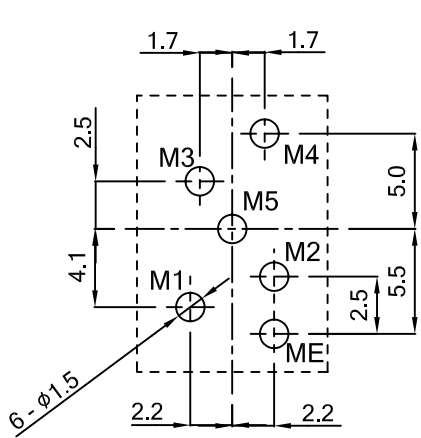


SCHEMATIC	THREAD	PART NO.
	WITH	AJ3.5-067-A-1
	WITHOUT	AJ3.5-067-A-2
	WITH	AJ3.5-067-B-1
	WITHOUT	AJ3.5-067-B-2



**[B] NOTES:**

- RATINGS
  - VOLTAGE RATING: 16 V DC
  - CURRENT RATING: 0.3 AMPERE
  - OPERATING TEMPERATURE: -25°C ~ +85°C
- ELECTRICAL
  - CONTACT RESISTANCE: PLUG TO CONTACT 50mΩ MAX  
CONTACT TO SHUNT 30mΩ MAX
  - INSULATION RESISTANCE: 100 M OHMS MIN
  - DIELECTRIC WITHSTANDING VOLTAGE: 500 V AC/RMS
- RESISTANCE TO SOLDERING HEAT: 265°C ± 5°C FOR 5 SECONDS
- RoHs 6 / 6 COMPLIANT



RECOMMENDED PADS LAYOUT  
<BOTTOM VIEW>

NOTE: TOLERANCE FOR PCB LAYOUT IS = ±0.05

**[B]**

7	GND CONTACT	PHOSPHOR BRONZE	1	SILVER 30u" MIN OVER Ni 30u" MIN
6	T-CONTACT	BRASS	1	SILVER 30u" MIN OVER Ni 30u" MIN
5	T-SHUNT	BRASS	1	SILVER 30u" MIN OVER Ni 30u" MIN
4	R-SHUNT	Tc - Cu	1	SILVER 30u" MIN OVER Ni 30u" MIN
3	R-CONTACT	PHOSPHOR BRONZE	1	SILVER 30u" MIN OVER Ni 30u" MIN
2	COVER	PA-46	1	
1	HOUSING	PA-9T + 30% GF	1	
NO.	NAME	MATERIAL	QTY	FINISH

TOLERANCE	
LINEAR	ANGLES
X. ±	X° . ±



TITLE: **∅3.5mm VERTICAL STEREO JACK**

PART NO. **AJ3.5-067-X-X**

DWG NO. **GT14-300149**

[B]	CORRECTED BOM ADDED NOTES	FOX	06/28/06'	. X ± 0.25	. X° ±	APPD:	MAT' L:	DWG NO.	GT14-300149			
[A]	ISSUED	JANE	06/28/06'	. XX ± 0.15	. XX° ±	CHKD:	FINISH:		UNITS	SCALE	SHEET	REV
REV	ECN NO.	NAME	DATE	. XXX ± 0.05	. XXX° ±	DRWN:	Q' TY:		MM	NONE	1 OF 1	B