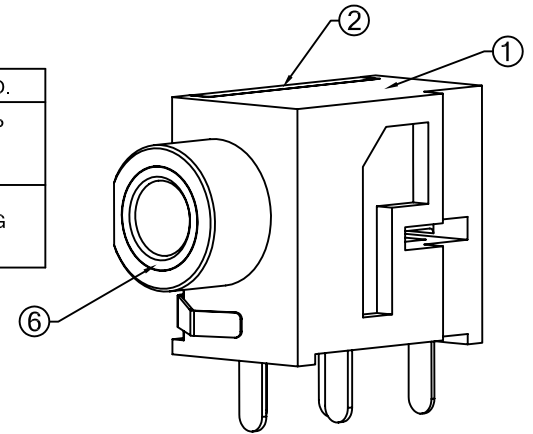
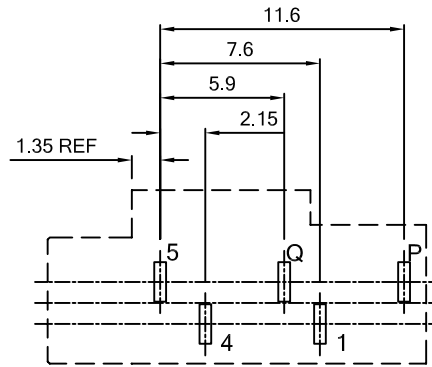
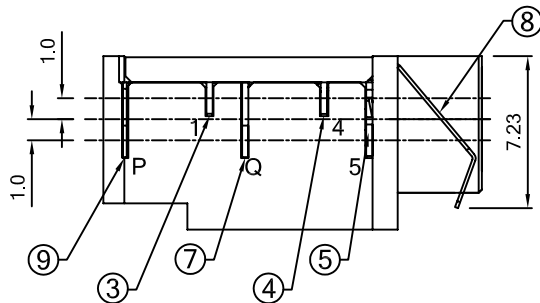


SCHMATIC	COLOR	PART NO.
5	PINK / #577C	AJ3.5-069-P
4		
Q		
P	LIME / #701C	AJ3.5-069-G
1		



**[B] NOTES:**

1. RATINGS
  - a. VOLTAGE RATING: 16 V DC
  - b. CURRENT RATING: 0.3 AMPERE
  - c. OPERATING TEMPERATURE: -25°C ~ +85°C
2. ELECTRICAL
  - a. CONTACT RESISTANCE: PLUG TO CONTACT 50mΩ MAX  
CONTACT TO SHUNT 30mΩ MAX
  - b. INSULATION RESISTANCE: 100 M OHMS MIN
  - c. DIELECTRIC WITHSTANDING VOLTAGE: 500 V AC/RMS
3. RESISTANCE TO SOLDERING HEAT: 260°C ± 5°C FOR 5 SECONDS
4. RoHS 6 / 6 COMPLIANT



RECOMMENDED PCB LAYOUT  
<TOP VIEW>  
NOTE: TOLERANCE FOR PCB LAYOUT IS = ±0.05

ITEM	NAME	MATERIAL	Q'TY	FINISH
11	M4 COILSPRING	SUS-304	1	
10	M1 COILSPRING	SUS-304	1	
9	MP-CONTACT	PHOSPHOR BRONZE	1	TIN 50u" MIN OVER Ni 30u" MIN
8	SPRING GND	SUS-301	1	
7	MQ-CONTACT	BRASS	1	TIN 50u" MIN OVER Ni 30u" MIN
6	METAL BUSHING	BRASS	1	
5	GND-CONTACT	BRASS	1	TIN 50u" MIN OVER Ni 30u" MIN
4	T-CONTACT	BRASS	1	TIN 50u" MIN OVER Ni 30u" MIN
3	R-CONTACT	BRASS	1	TIN 50u" MIN OVER Ni 30u" MIN
2	COVER	PA-9T, UL94V-0	1	
1	HOUSING	PA-9T, UL94V-0	1	

TOLERANCE	
LINEAR	ANGLES
X ±	X° ± 5°



TITLE:  
Ø 3.5 EARPHONE JACK, VERTICAL, FOR AZALIA  
NON-THREAD, WITH COIL SPRING

PART NO. AJ3.5-069-X  
DWG NO. GT14-300150

REV	ECN NO.	NAME	DATE	.XXX ±	.XXX° ±	DRWN:	Q' TY:
[B]	CORRECTED BOM ADDED NOTES	FOX	06/27/06'	.X ± 0.3	.X° ± 3°	APPD:	MAT' L:
[A]	ISSUED	JANE	06/28/06'	.XX ± 0.2	.XX° ±	CHKD:	FINISH:

UNITS	SCALE	SHEET	REV
MM	NONE	1 OF 1	B