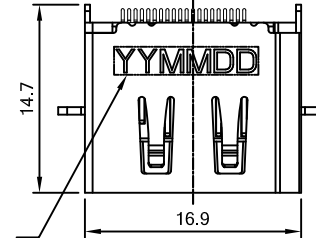
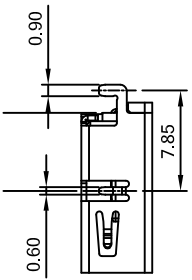
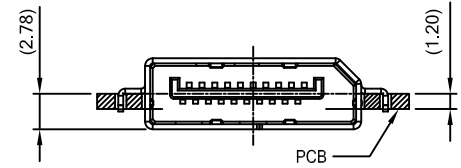


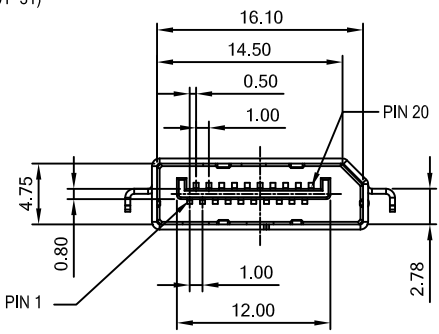
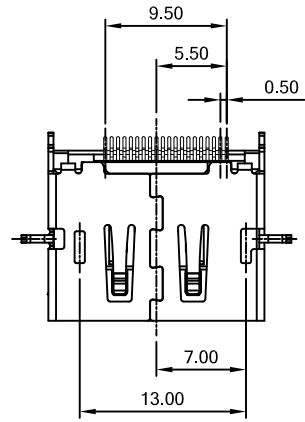
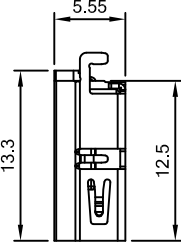
ORDER INFORMATION
 DPAR- 20 20 -B K 1 3 X 1D
 ① ② ③ ④ ⑤ ⑥ ⑦ ⑧

1. CONNECTOR:
DPAR: DISPLAY PORT CONNECTOR
2. TYPE:
20: FEMALE, SINK-REVERSE TYPE
3. POSITIONS:
20: 20 POSITIONS
4. INSULATOR MATERIAL:
B: LCP
5. INSULATOR COLOR:
K: BLACK
6. CONTACT PLATING:
1: GOLD FLASH
3: NICKEL SHIELD
7. SHIELD PLATING:
3: NICKEL SHIELD
8. PACKING
T: TRAY PACKING
R: TAPE REEL PACKING

RECOMMENDED PADS LAYOUT
 <JACK TOP VIEW>
 NOTE : TOLERANCE FOR PCB LAYOUT IS ± 0.05



DATE CODE (BLACK)
 YY : YEAR (09~)
 MM : MONTH (01~12)
 DD : DAY (01~31)



ITEM	DESCRIPTION	MATERIAL	FINISH	Q'TY	NOTE
⑥	HOUSING	LCP	BLACK	1	
⑤	SHELL	BRASS	NICKEL	1	
④	BOTTOM SIGNAL CONTACT	PHOSPHOR BRONZE	GOLD	6	
③	BOTTOM GND CONTACT	PHOSPHOR BRONZE	GOLD	4	
②	TOP SIGNAL CONTACT	PHOSPHOR BRONZE	GOLD	5	
①	TOP GND CONTACT	PHOSPHOR BRONZE	GOLD	5	

RoHS Compliant

TOLERANCE		 7F, No. 191, Sec. 2 Chung-Yang Rd., Tu-Cheng City Taipei Hsien, Taiwan A Genesis Electro-Mechanical Company	TITLE: DISPLAY PORT FEMALE SINK-REVERSE TYPE			
LINEAR	ANGLES		PART NO. DPAR-2020-BK13X1D			
X. ± 0.50	X° ± 5°		DWG NO. GTI09-25170			
.X ± 0.30	.X° ± 3°		APPD:	MAT'L:	CHKD:	FINISH:
.XX ± 0.20	.XX° ±	DRWN: Kathy-Tan	Q'TY:			

REV.	ISSUED	Vegas	12/25/09'	.XX ± 0.20	.XX° ±	APPD:	MAT'L:	DWG NO.	UNITS	SCALE	SHEET	REV
	ECN NO.	NAME	DATE	.XXX ±	.XXX° ±	DRWN: Kathy-Tan	Q'TY:		MM	NONE	1 OF 1	A