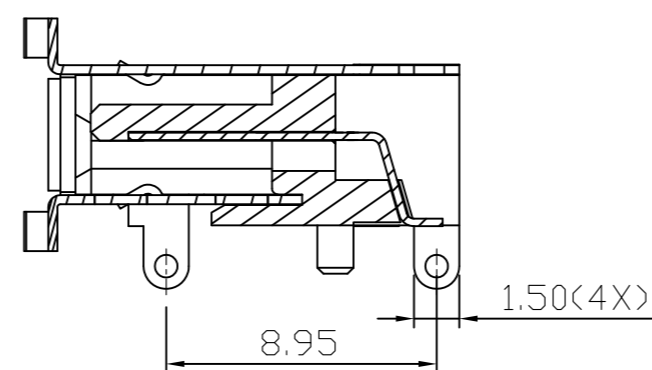
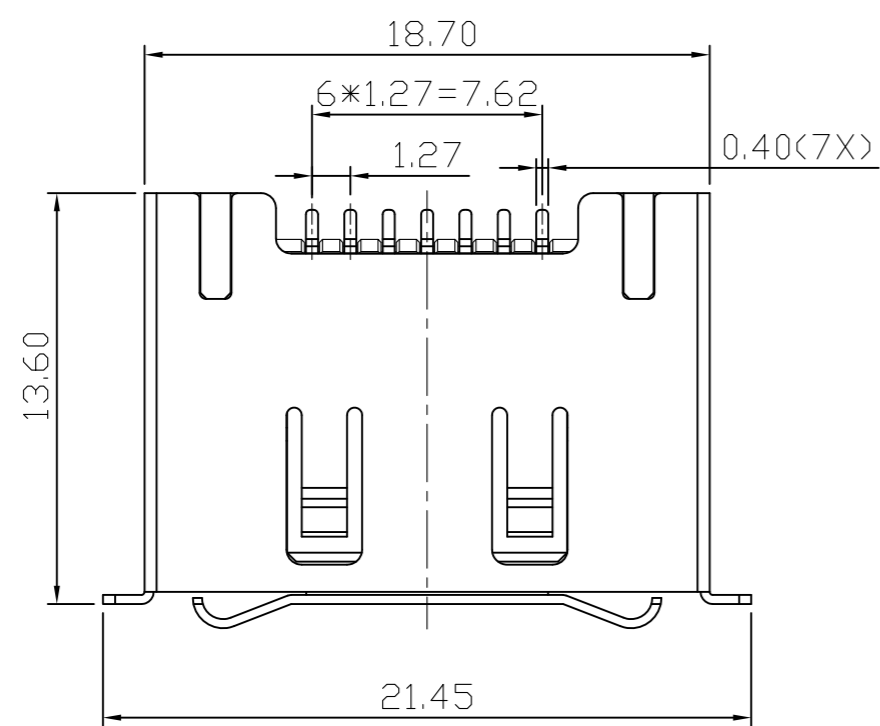
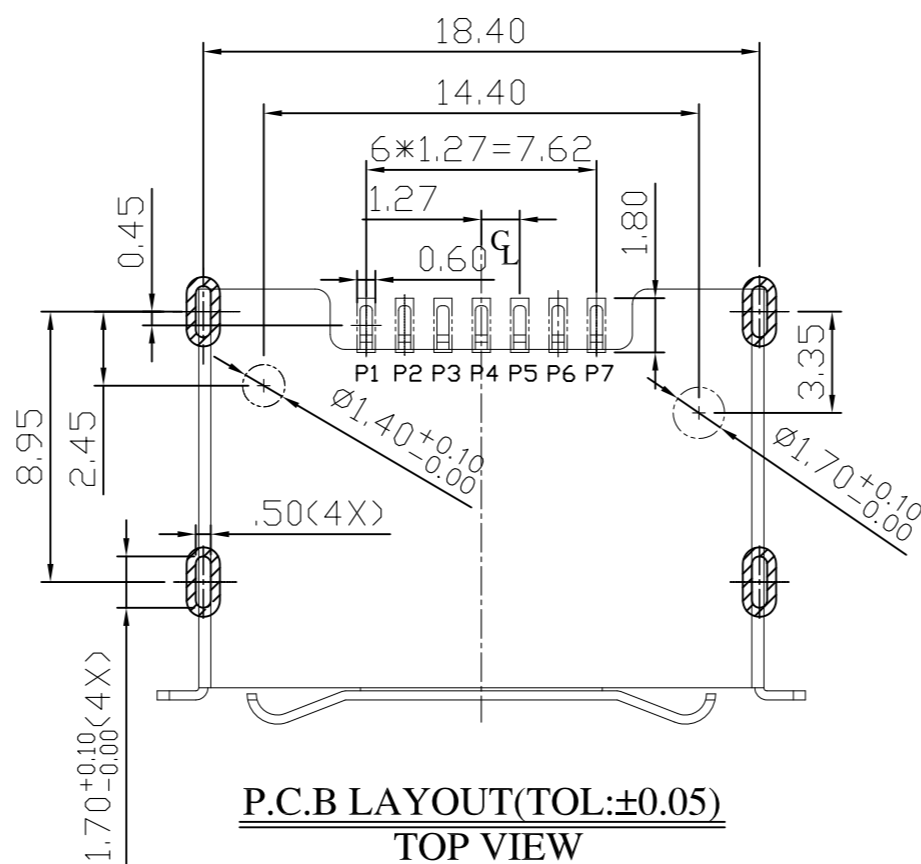
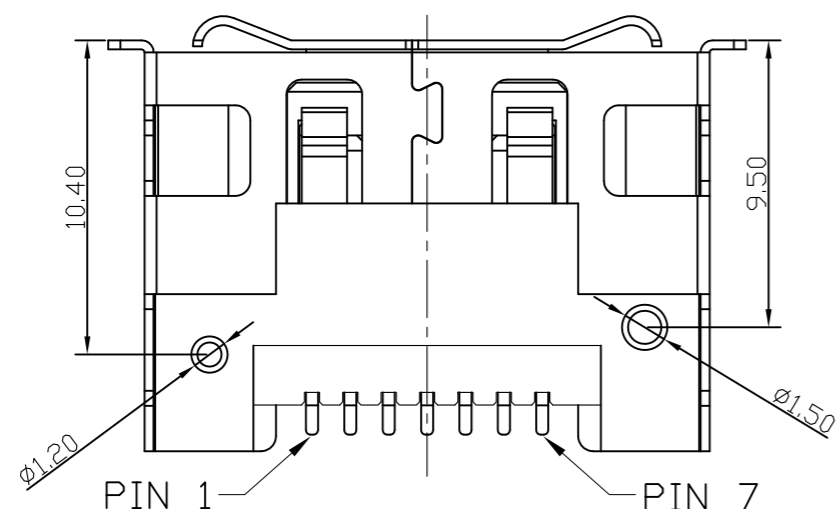
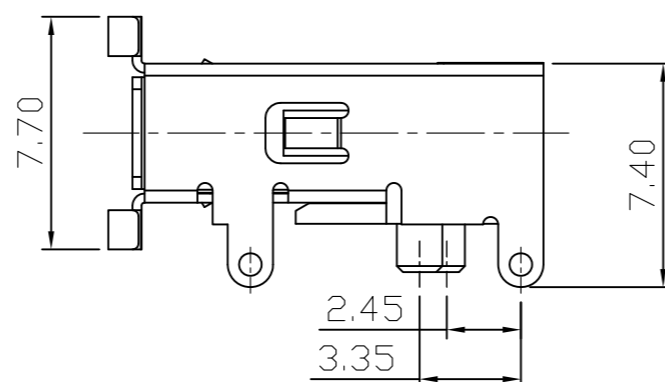
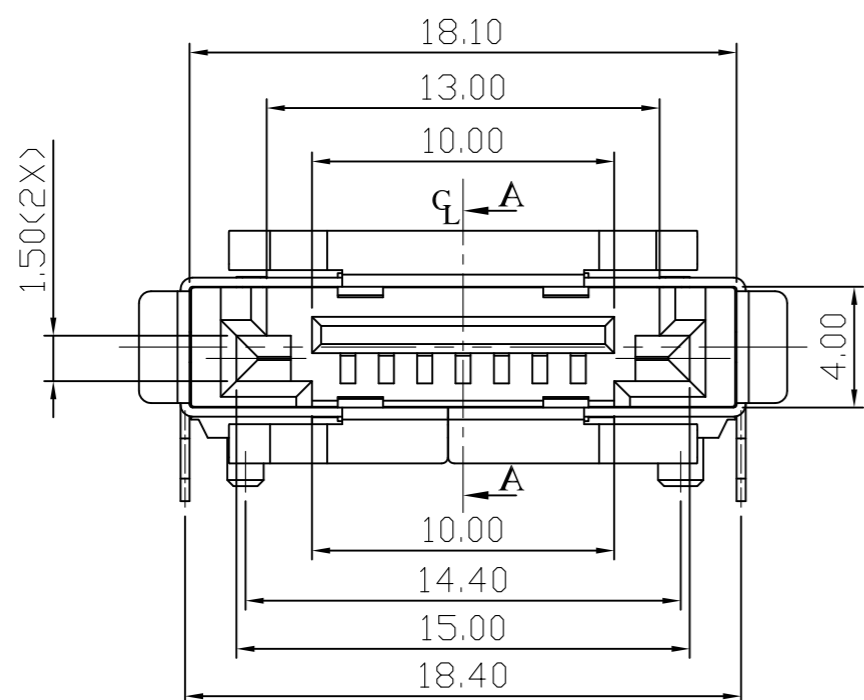


X2



SECTION A-A



P.C.B LAYOUT (TOL:±0.05)
TOP VIEW

X2

NOTES:

- ELECTRICAL CHARACTERISTICS
CURRENT RATING: 1.5A / PIN
CONTACT RESISTANCE: 30mΩ MAX.
DIELECTRIC WITHSTANDING VOLTAGE: 500VAC
INSULATION RESISTANCE: 1000MΩ MIN.
- ENVIRONMENTAL
OPERATING TEMPERATURE: -25°C ~ +85°C
- MATERIALS
INSULATOR: LCP+30%G.F., UL 94V-0 RATED, COLOR BLACK
SHELL: BRASS
CONTACT: BRASS
- PLATING
SHELL: NICKEL 30u" MIN.
CONTACT: GOLD PLATING ON CONTACT AREA,
TIN 80u" MIN. ON SOLDER TAIL,
NICKEL 30u" MIN. UNDERPLATED OVERALL
- RoHS COMPLIANT

X3

X2

ORDER INFORMATION:

ESAR - 17 07 - B K X 3 T 1C

① ② ③ ④ ⑤ ⑥ ⑦ ⑧

- CONNECTOR:
ESAR: eSATA R/A CONNECTOR
- TYPE:
17: eSATA 7PIN REVERSE SMT MALE TYPE
- POSITIONS:
07: 7 POSITIONS
- INSULATOR MATERIAL:
B: LCP
- INSULATOR COLOR:
K: BLACK
- CONTACT PLATING:
1: GOLD FLASH
3: GOLD 5u"
5: GOLD 15u"
6: GOLD 30u"
- SHIELD PLATING:
3: NICKEL PLATED
- PACKING:
T: TRAY

TOLERANCE

LINEAR	ANGLES
X. ±0.50	X° ±10°
.X ± 0.38	.X° ±5°
.XX ± 0.25	.XX° ±2°
.XXX ± 0.13	



TITLE:

eSATA SMT R/A REVERSE TYPE CONNECTOR

PART NO.

ESAR-1707-BKX3T1C

DWG NO.

GTi07-25055

REV.	ECN NO.	NAME	DATE
X3		Jeff	06/22/11'
X2		Jeff	06/14/11'
X01		Vegas	11/15/07'

REV.	ECN NO.	NAME	DATE
X3		Jeff	06/22/11'
X2		Jeff	06/14/11'
X01		Vegas	11/15/07'

APPD:	MAT'L:
CHKD:	FINISH:
DRWN: Vegas	Q'TY:

APPD:	MAT'L:
CHKD:	FINISH:
DRWN: Vegas	Q'TY:

UNITS	SCALE	SHEET	REV
mm	NONE	1 OF 1	X3