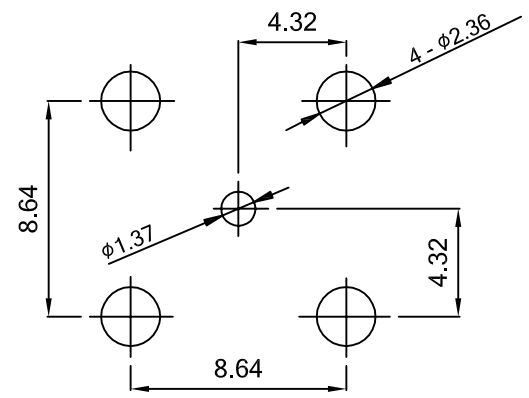
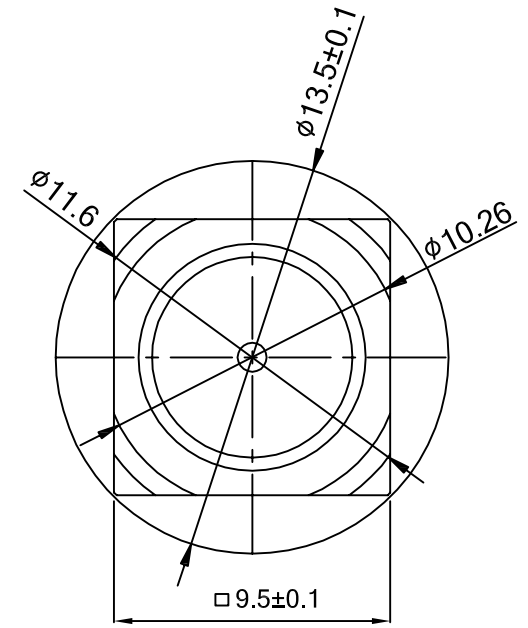
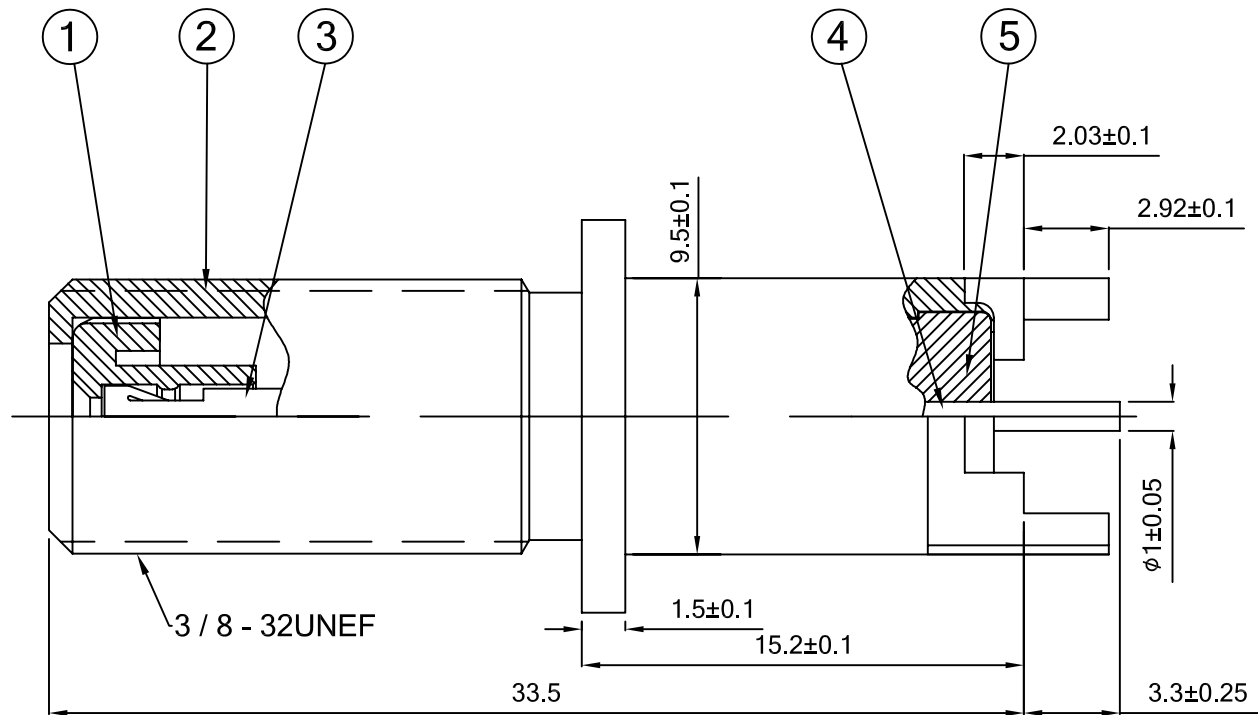


REV.	ECN. NO.	DESCRIPTION	ENG	DATE
A		ISSUED	FOX	7/29/10'



PCB LAYOUT
TOLERANCE: ±0.05

- NOTES:
- CONNECTOR WILL ACCEPT A CENTER CONDUCTOR DIAMETER RANGE OF 0.56 ~ 1.19mm
 - MAJOR DIA. 9.42mm REF.

RoHS Compliant

5	INSULATOR B	1	DELTRIN	
4	PIN	1	BRASS	GOLD 1u"
3	CONTACT	1	BeCu	GOLD 1u"
2	BODY	1	BRASS	SULFAMATE NICKEL 3.8um
1	INSULATOR A	1	HD.PE	
ITEM	NAME	Q'TY	MATERIAL	NOTE

GENERAL TOLERANCE X± .X± 0.4 .XX± 0.3 .XXX± 0.2	ANGLE TOLERANCE X°± .X°± .XX°± .XXX°±	DRAWN FOX	DATE 7/29/10'	
MATL SEE BOM	FINISH SEE NOTES	DESIGN	DATE	
SCALE N/A	UNIT mm	CHECKED	DATE	PART NUMBER GTI10-30087
SHEET 1 OF 1		APPROVED	DATE	DRAWING NO. GTI10-30087
				SIZE A4 REV. A