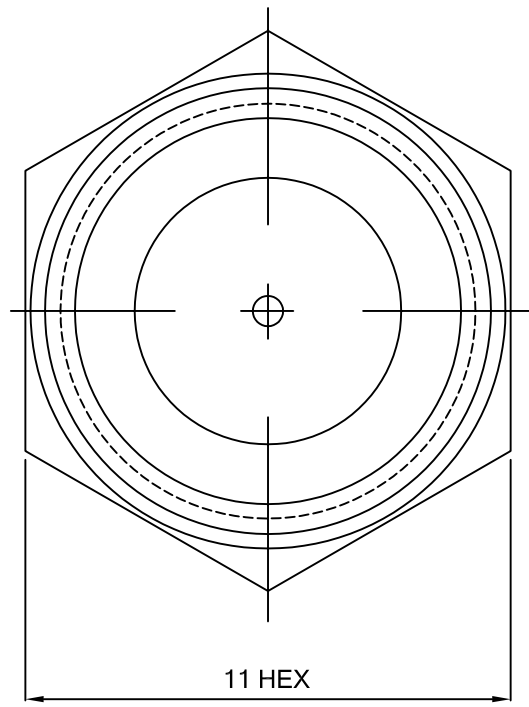
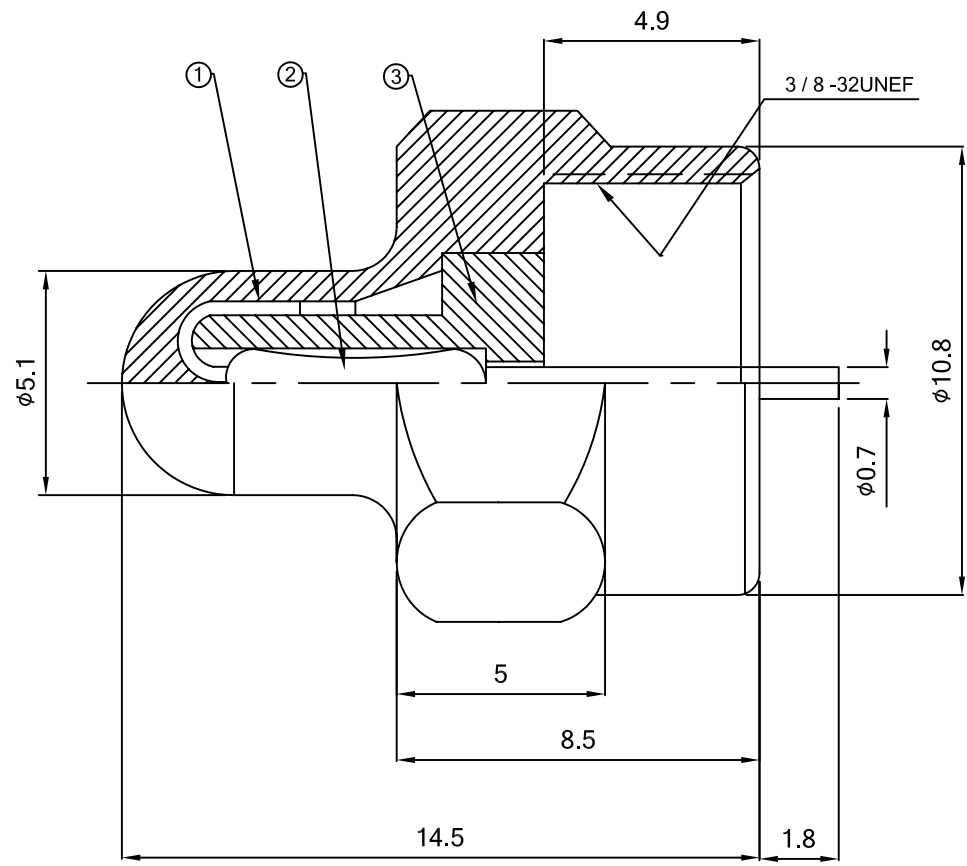


REV.	ECN. NO.	DESCRIPTION	ENG	DATE
A		ISSUED	FOX	3/22/10'



NOTES:
1. RETURN LOSS: 2 GHz > 24dB.

RoHS Compliant

					GENERAL TOLERANCE X.± .X± .XX± .XXX±		ANGLE TOLERANCE X°± .X°± .XX°± .XXX°±		DRAWN FOX		DATE 3/22/10'							
					MATERIAL SEE BOM		CHECKED		DATE		PART NUMBER F-383							
					FINISH SEE NOTES		SCALE N/A		UNIT mm		APPROVED		DATE		DRAWING NO. GTi10-30043		SIZE A4	
					SHEET 1 OF 1												REV. A	

3	DAD49649	1	F59TH-P	HD . PE	WHITE
2	DAR49261-01	1	RESISTOR 75Ω ± 5% 1 / 4 W		
1	DAB49260	1	F59TH-HR-A	ZINC #3	NICKEL
ITEM	NAME	Q'TY	DESCRIPTION	MATERIAL	NOTE