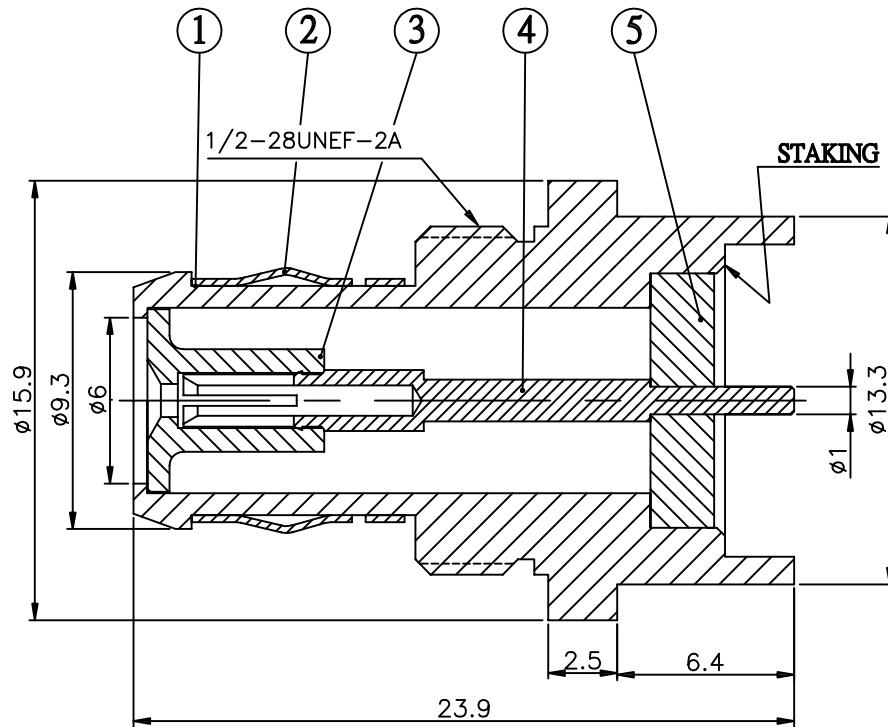



ACAD CODE:

GSK-F376



1	5	INSULATOR	TEFLON	
1	4	CONTACT	BeCu	Silver 2.5~10um, Over Cu 1.25~5um
1	3	INSULATOR	TEFLON	
1	2	SPRING	BeCu	TIN 2.5~10um
1	1	BODY	BRASS	Nickel sulfamate 3um, Over Cu 1.5um
QTY.	NO.	DESCRIPTION	MATL	REMARK

NO.	DESCRIPTION	Q'TY	MATERIAL	PLATED
 VISWAR <small>a Genesis Electro-Mechanical Company</small> TECHNOLOGIES				
圖名 NAME		G ADAPTER		
圖號 DWG NO		GSK-F376		
單位 UNIT	MM	一般公差	繪圖	AXL
比例 SCALE	NONE	.X ± 0.4	校對	
SHEET	1/1	.XX ± 0.2	審核	
		.XXX	審核	
		ANGLES	APPVL. BY	

B	REVISED DRAWING	2/09/09'	FOX	
A	ISSUED	9/13/07'	AXL	
REV	DESCRIPTION	DATE	NAME	ECN NO.