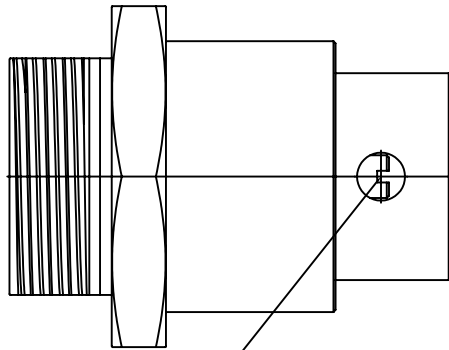
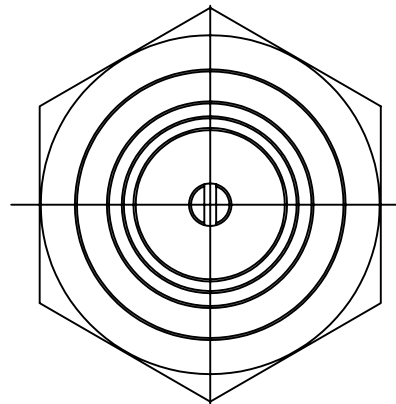
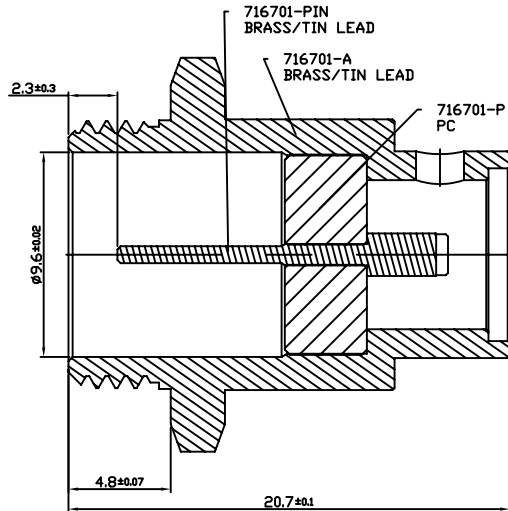


ACAD CODE:


GSK-M380



ALIGN SLOT WITH CENTER OF HOLE ±10°



NOTE 1. UNSPECIFIED TOLERANCES ARE ±0.1 mm

NO.	DESCRIPTION	Q'TY	MATERIAL	PLATED
 <b>VISWAR</b> <small>a Genesis Electro-Mechanical Company</small> TECHNOLOGIES				
圖名 NAME	ASSY AF SERIES MALE CHASSIS			
圖號 DWG NO	GSK-M380			
單位 UNIT	INCH	一般公差		繪圖 DRAW. BY
比例 SCALE	NONE	.X	AXL	校對 CHECKED
SHEET	1/1	.XX		審核 CHECKED
		.XXX		APPVL. BY
		ANGLES		

REV	DESCRIPTION	DATE	NAME	ECN NO.
B	REVISED DRAWING	2/10/09'	FOX	
A	<b>ISSUED</b>	9/13/07'	AXL	