

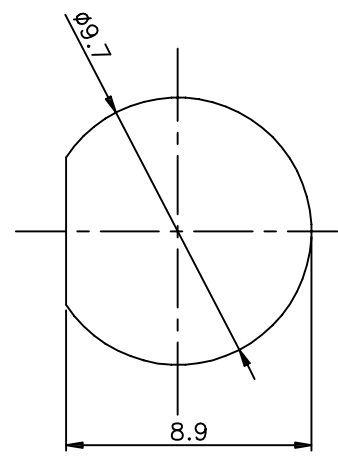
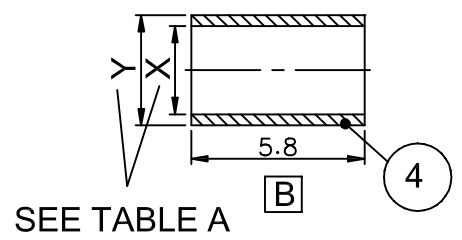
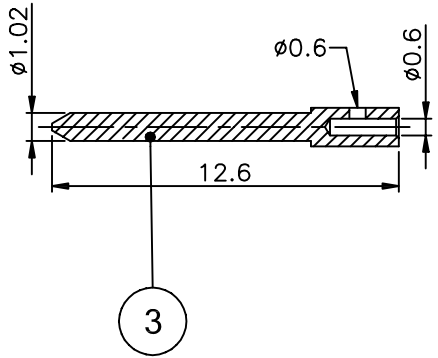
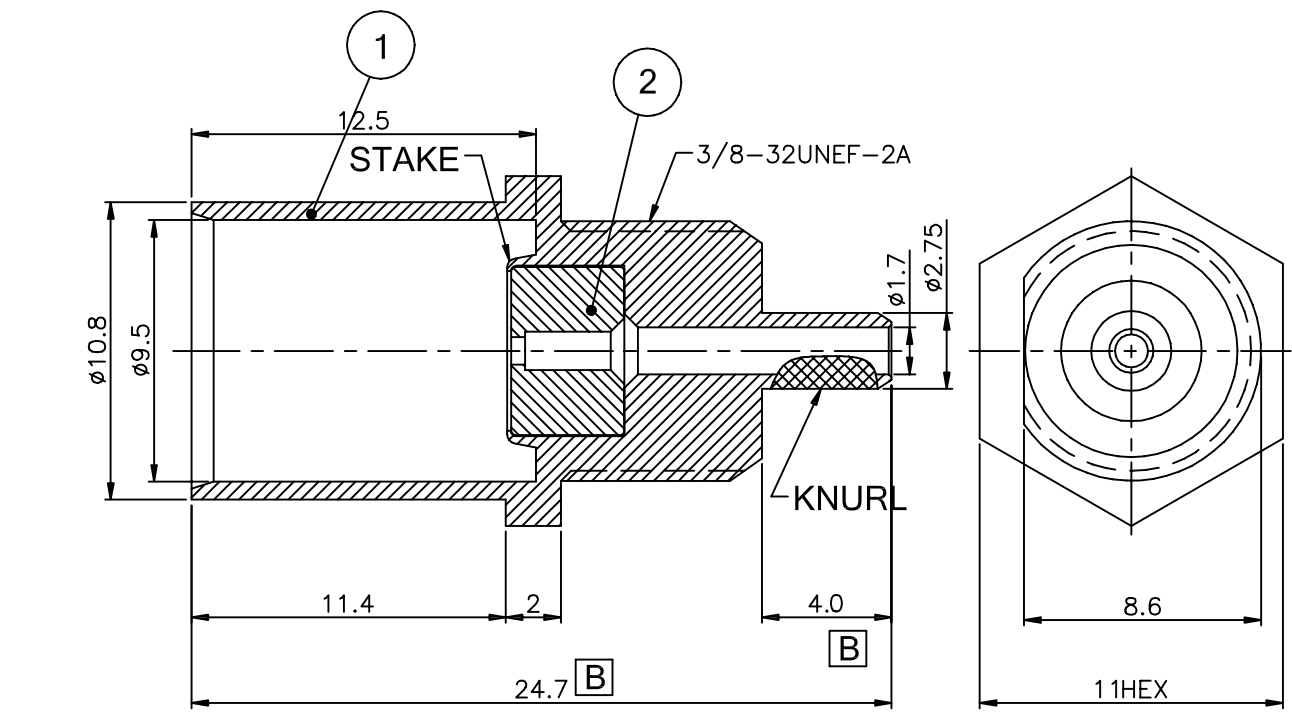
ORDER INFORMATION

GSK311-GMRX179

RD179: DOUBLE BRAID  
RG179: SINGLE BRAID

TABLE A

CABLE	X	Y
RD179	∅3.6	∅4.4
RG179	∅3.2	∅4.0



RECOMMENDED HOLE PATTERN

NO.	DESCRIPTION	Q'TY	MATERIAL	PLATED
4	FERRULE	1	BRASS	TIN
3	PIN	1	BRASS	TIN
2	INSULATOR	1	TEFLON	
1	BODY	1	BRASS	TIN

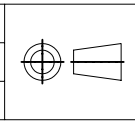


**VISWAR**  
TECHNOLOGIES

圖名 NAME: G MALE CONNECTOR

圖號 DWG NO: GSK311-GMRX179

單位 UNIT: MM  
比例 SCALE: NONE  
SHEET: 1/1



一般公差  
.X ±0.4  
.XX ±0.2  
.XXX  
ANGLES

繪圖 DRAW. BY: AXL  
校對 CHECKED  
審核 APPVL. BY

REV	DESCRIPTION	DATE	NAME	ECN NO.
B	CHANGE DIM. WAS 25.4, 4.7 AND 6.3	7/8/08	AXL	
A	<b>ISSUED</b>	9/12/07	AXL	

