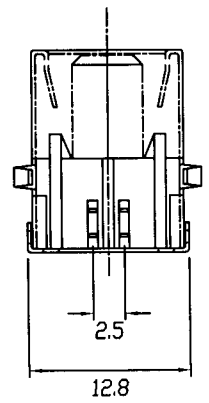
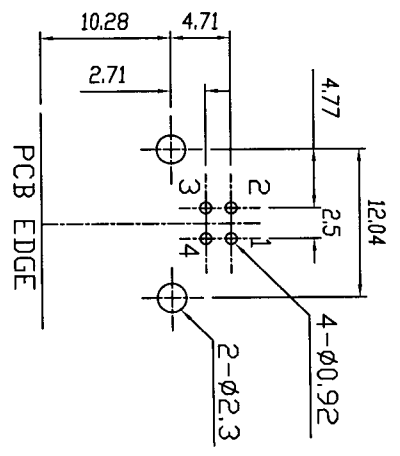
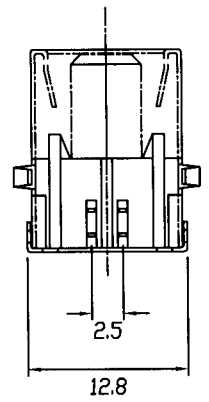
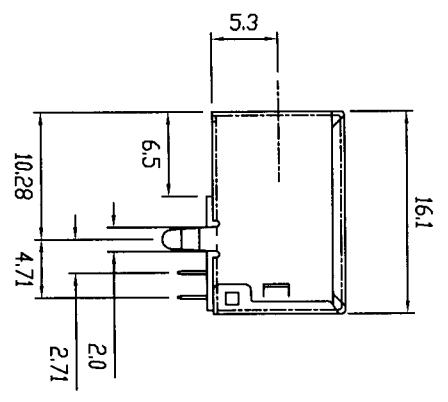
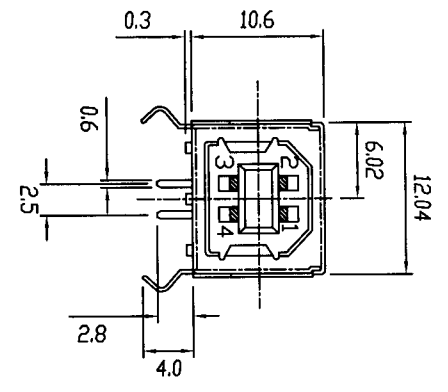


ACAD CODE: \_\_\_\_\_



NO.	NAME	MATERIAL	FINISH	REMARK	Q'TY
1	HOUSING	P.B.T. G.F.	WHITE		1
2	PIN TERM.	PHOS. BRONZE T1.0.25	GOLD/TIN PLATED	※ 1.0.25 T1.0.25 ※ 1.0.25 T1.0.25	4
3	SHELL	BRASS T1.0.3	NICKEL PLATED	Ni2~3u	1

NO.	DESCRIPTION	Q'TY	MATERIAL
	GENESIS TECHNOLOGIES 1005 GOWAT STREET, ATLANTA, GA 30305		

DWG NO: G103-BTR  
Rohs Compliant

REV	DESCRIPTION	DATE	NAME	ECN NO.
A	ISSUED	03/29/05	AXL	

UNIT	SCALE	SHEET	ANGLES	DRAW. BY	CHECKED	APPL. BY
MM	none	1	X XX XXX	AXL		