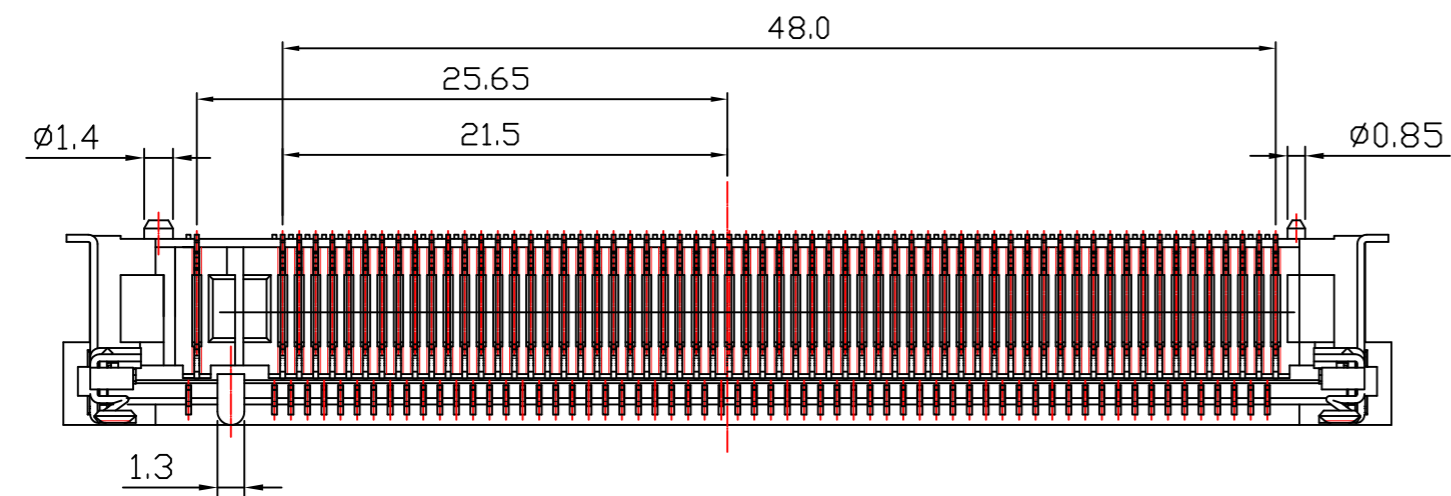
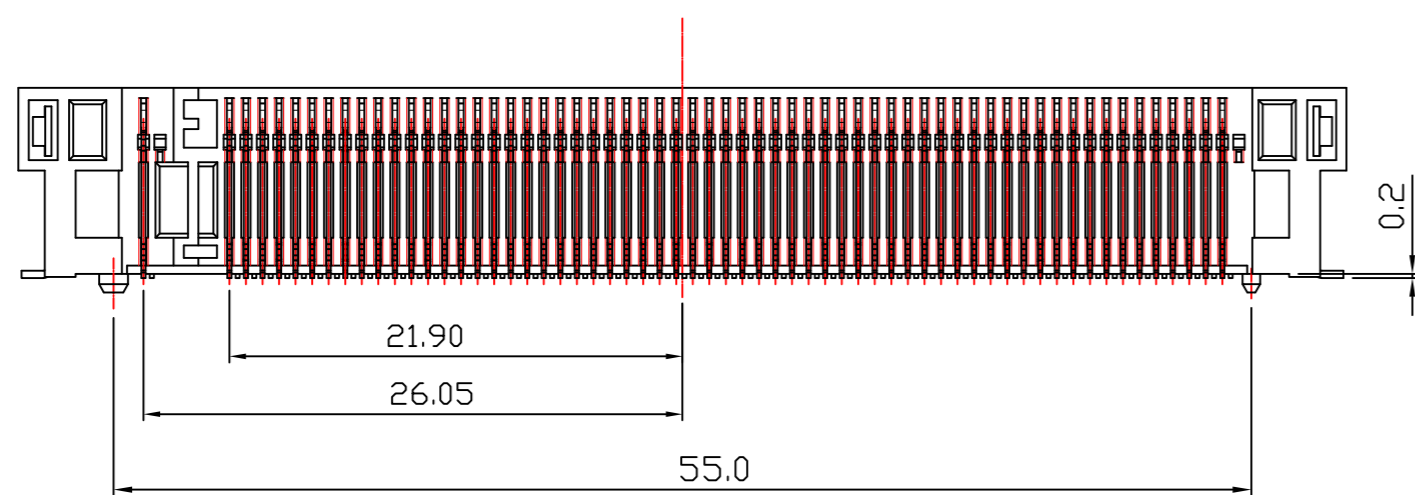
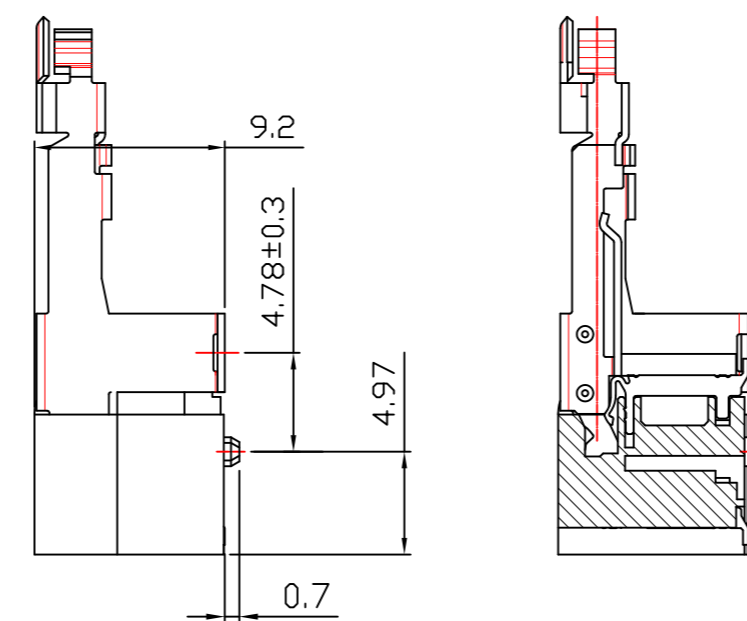
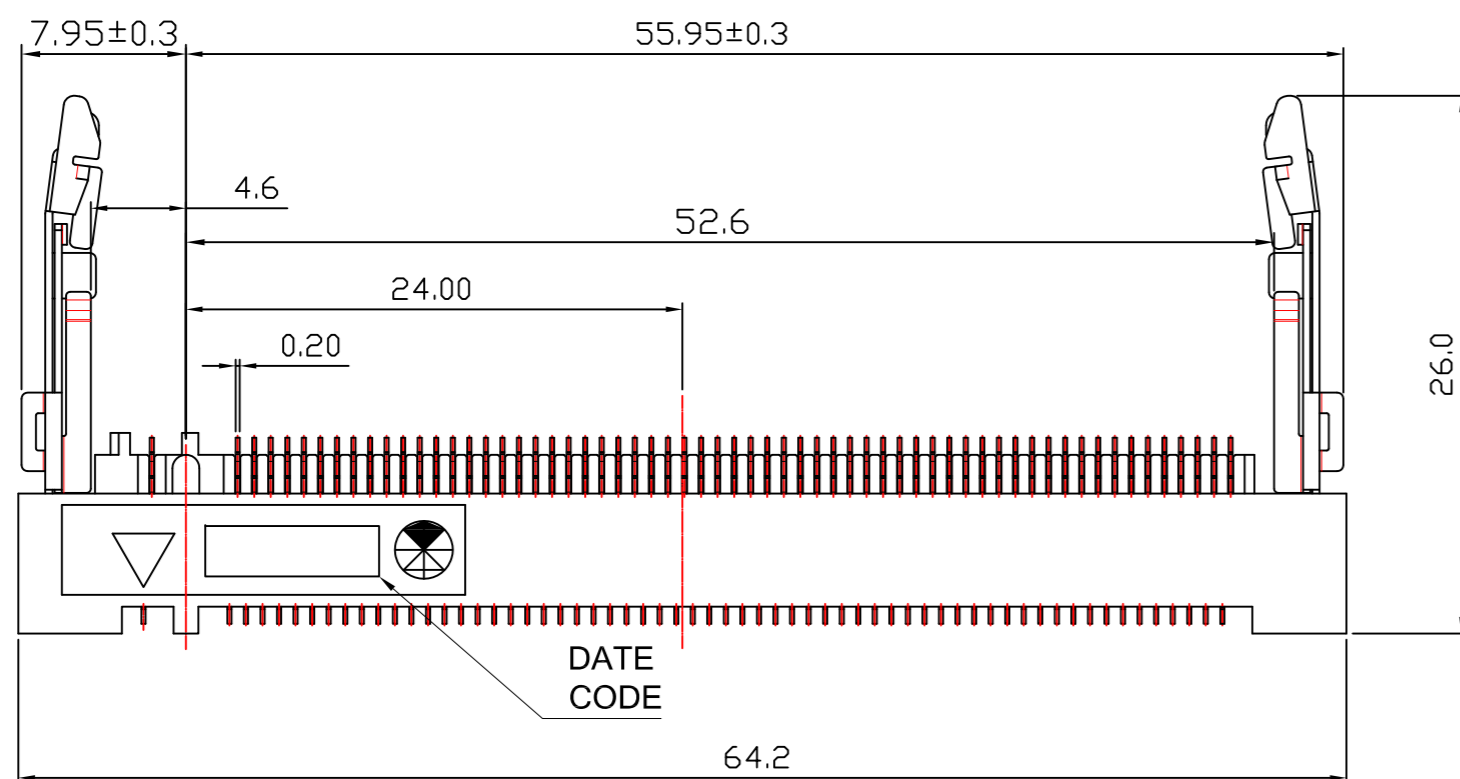


REV.	ECN. NO.	DESCRIPTION	ENG	DATE
X1		ISSUED	Jeff	11/03/11'



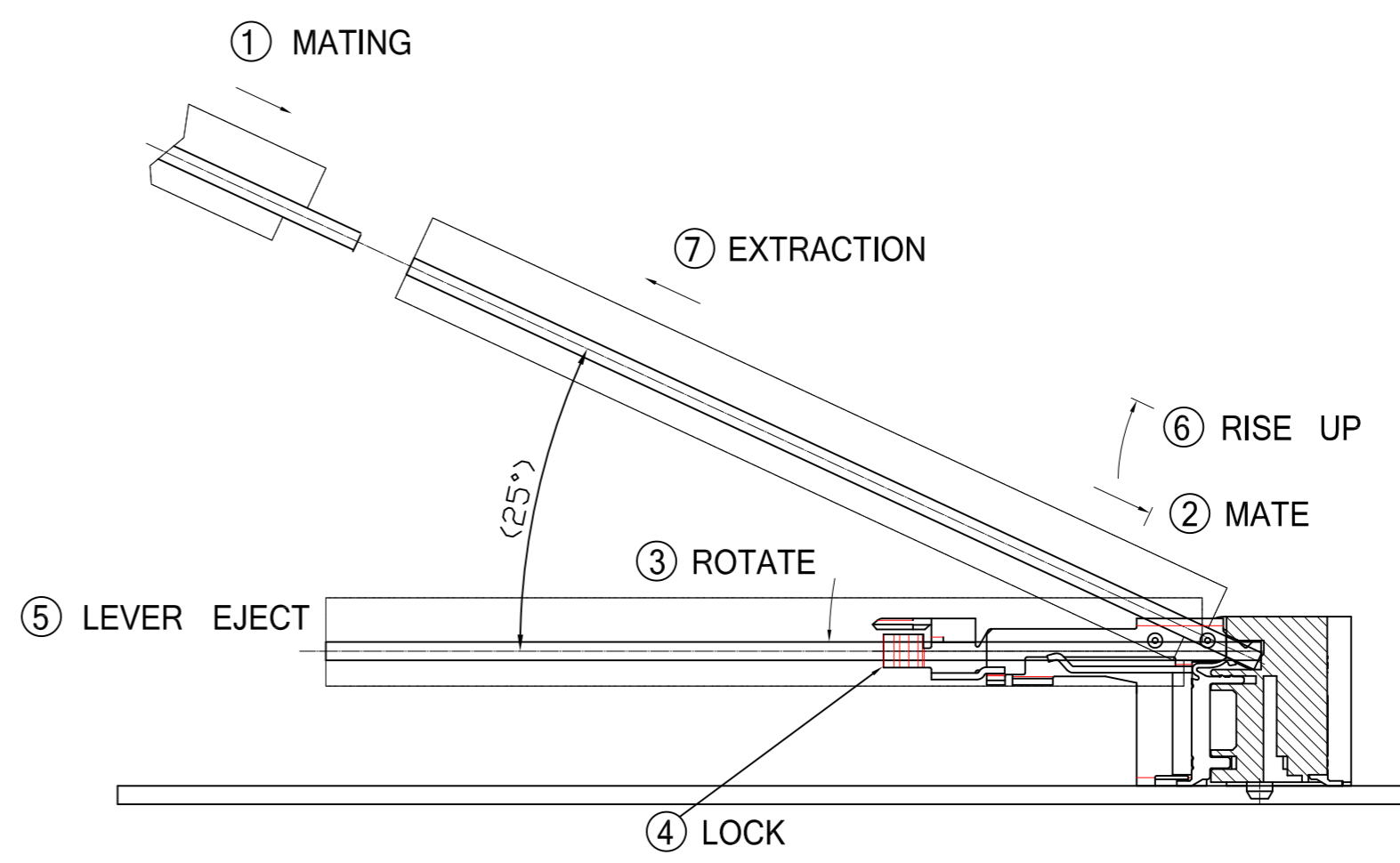
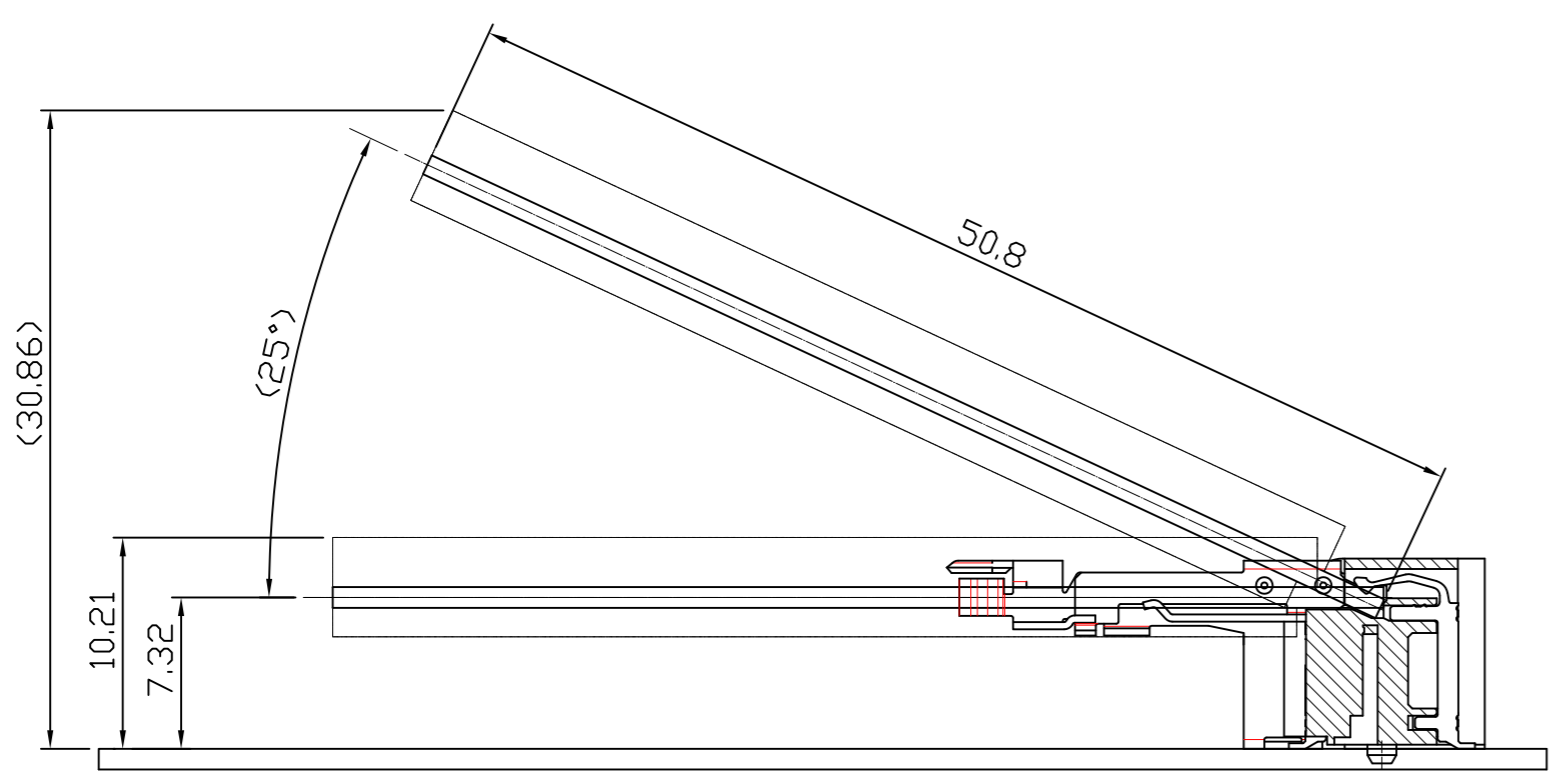
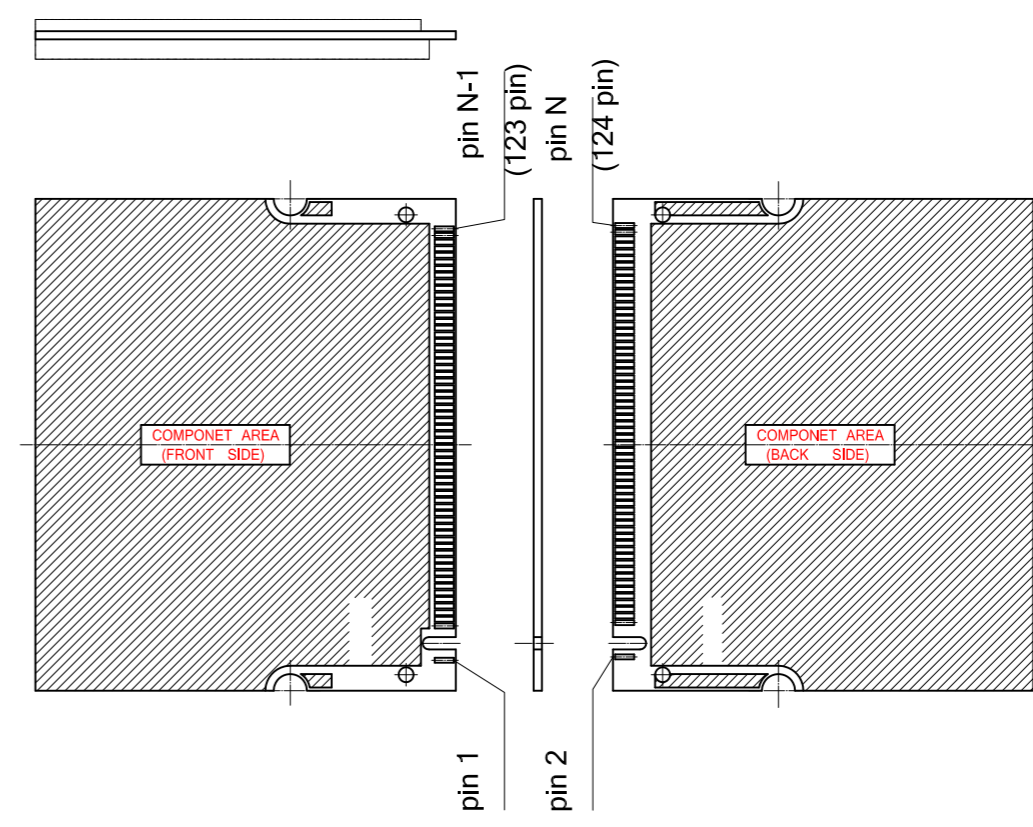
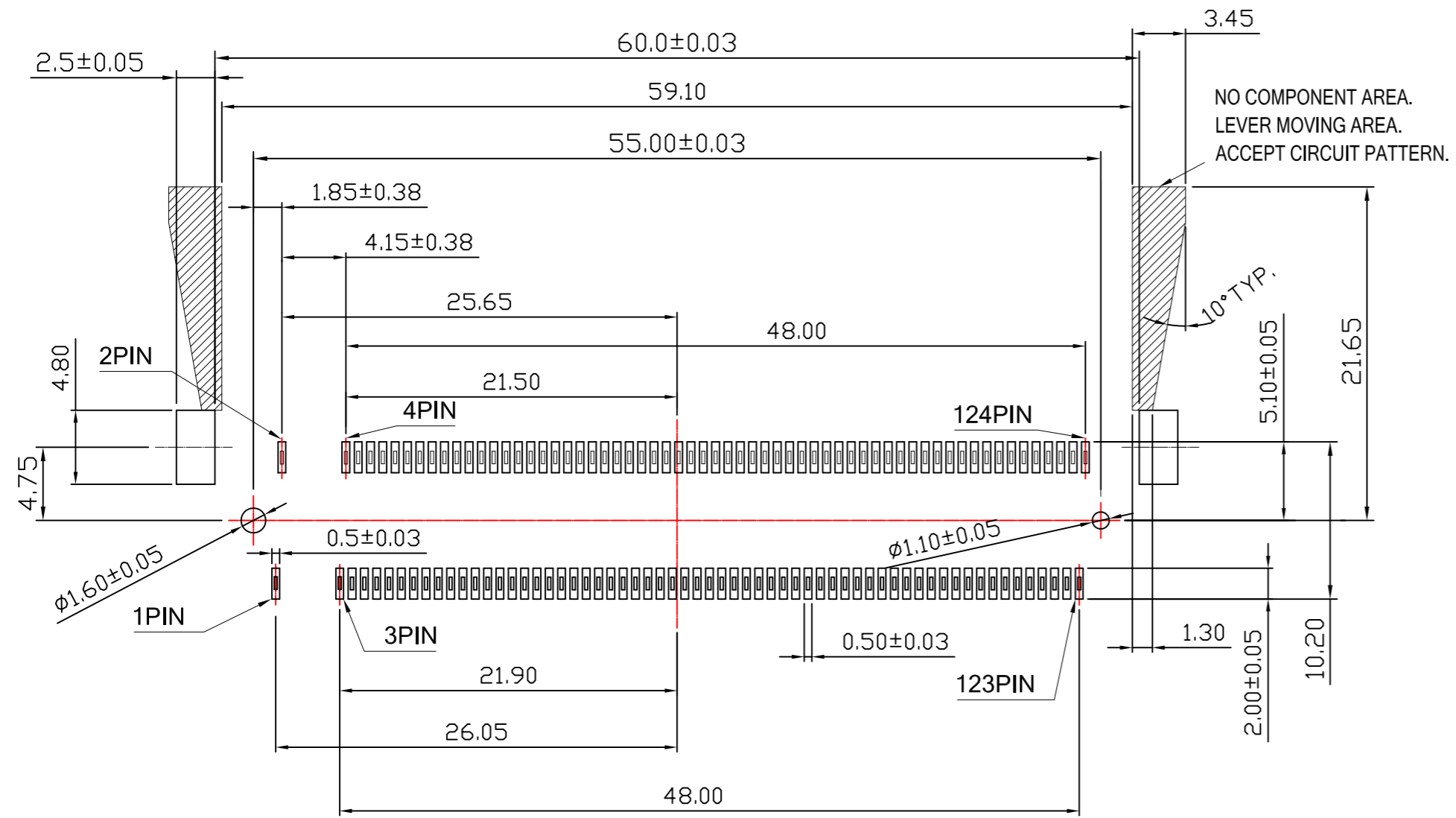
- NOTES:
 1. PACKING: TRAY
 2. RoHS COMPLIANT



GENERAL TOLERANCE	ANGLE TOLERANCE	DRAWN	DATE	PRELIMINARY NOT RELEASED	
X ±	X ° ±	Jeff	11/03/11'		
.X ± 0.38	.X ° ±	DESIGN	DATE		
.XX ± 0.25	.XX ° ±	CHECKED	DATE	PART NUMBER. GT14-200244	DRAWING NO. GT14-200244 SIZE A4 REV. X1
.XXX ± 0.15	.XXX ° ±	APPROVED	DATE		
MATL SEE BOM	FINISH SEE NOTES	SHEET 1 OF 3			

ITEM	NAME	Q'TY	DESCRIPTION	MATERIAL	FINISH / COLOR	NOTE
3	LATCH	1		STAINLESS STEEL	MATTE TIN 30u" MIN. PLATING	
2	CONTACT	124		COPPER ALLOY	MATTE TIN 30u" MIN. PLATING	
1	HOUSING	1		HIGH TEMP. THERMOPLASTIC	COLOR BLACK	UL 94V-0

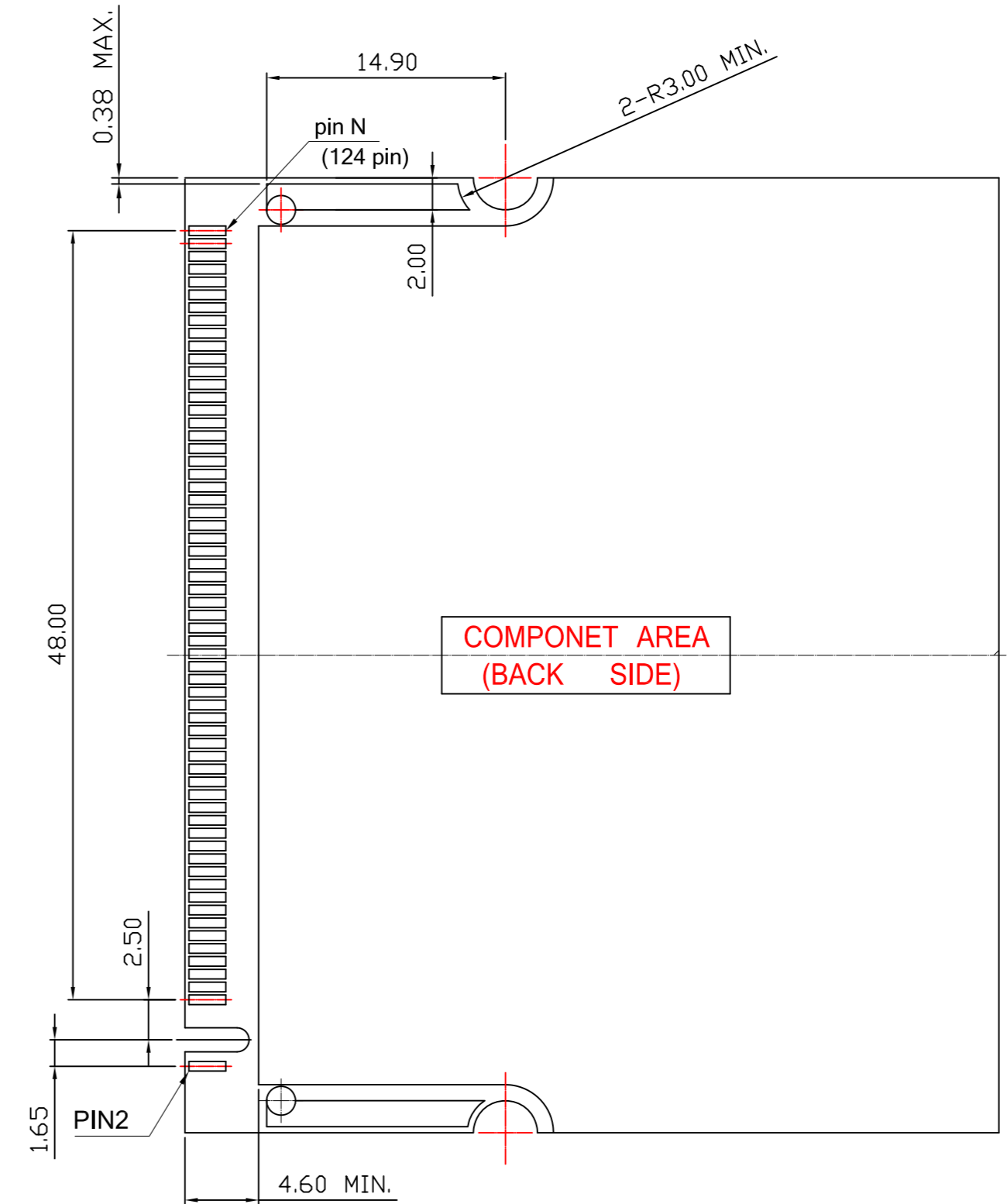
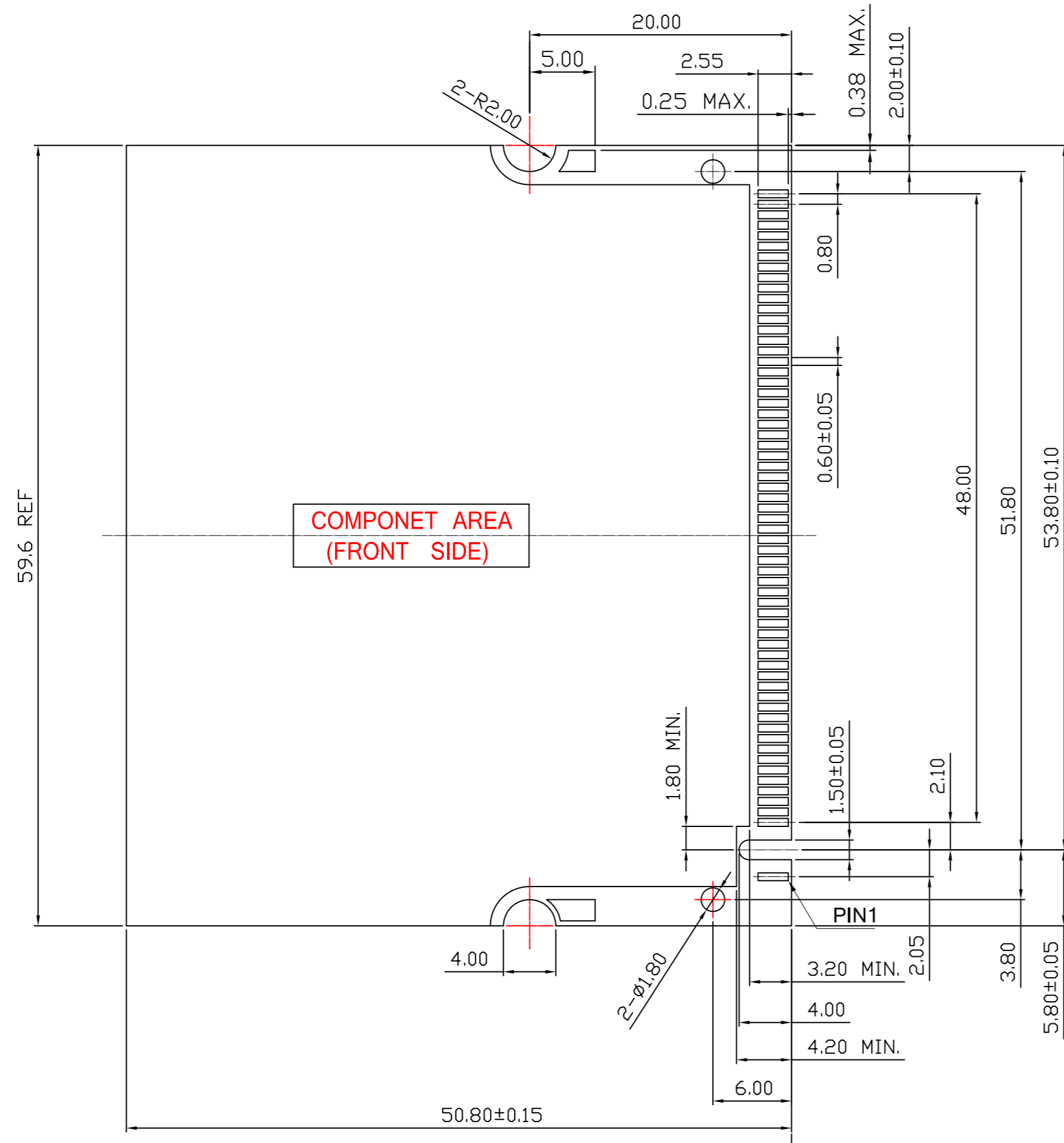
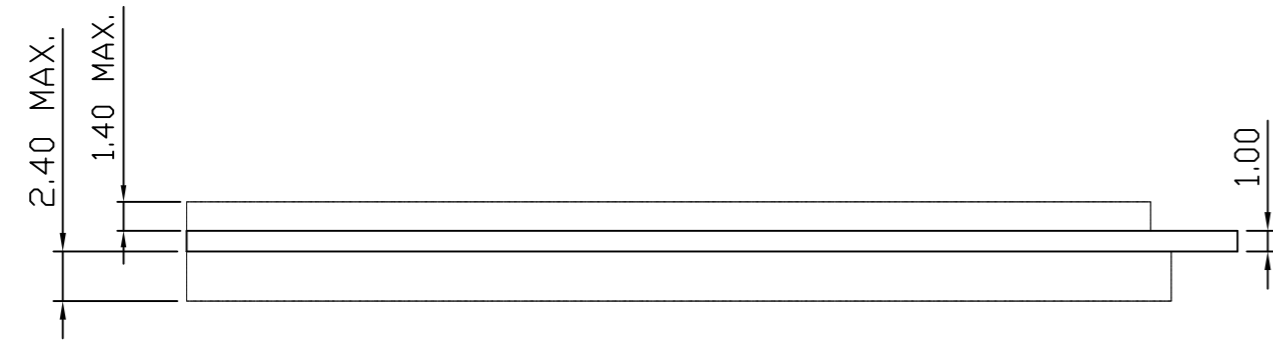
REV.	ECN. NO.	DESCRIPTION	ENG	DATE
		REFER TO SHEET 1		



GENERAL TOLERANCE	ANGLE TOLERANCE	DRAWN	DATE
X.±	X°±	Jeff	11/03/11'
.X± 0.38	.X°±	DESIGN	DATE
.XX± 0.25	.XX°±	CHECKED	DATE
.XXX± 0.15	.XXX°±	APPROVED	DATE
MATL	SEE BOM		
FINISH	SEE NOTES		
SCALE	N/A		
	UNIT mm		
SHEET 2 OF 3			

PRELIMINARY NOT RELEASED	
genesis connected solutions	
TITLE: MINI PCI 124PIN H=9.2mm	
PART NUMBER: GT14-200244	
DRAWING NO. GT14-200244	SIZE A4 REV. X1

REV.	ECN. NO.	DESCRIPTION	ENG	DATE
		REFER TO SHEET 1		



GENERAL TOLERANCE		ANGLE TOLERANCE		DRAWN		DATE		 genesis connected solutions	
X±		X°±		Jeff		11/03/11'			
.X± 0.38		.X°±		DESIGN		DATE		TITLE.	
.XX± 0.25		.XX°±		CHECKED		DATE		MINI PCI 124PIN H=9.2mm	
.XXX± 0.15		.XXX°±		APPROVED		DATE		PART NUMBER.	
MATL SEE BOM		FINISH SEE NOTES		SHEET 3 OF 3				GT14-200244	
SCALE N/A		UNIT mm						DRAWING NO.	
								GT14-200244	
								SIZE A4	
								REV. X1	