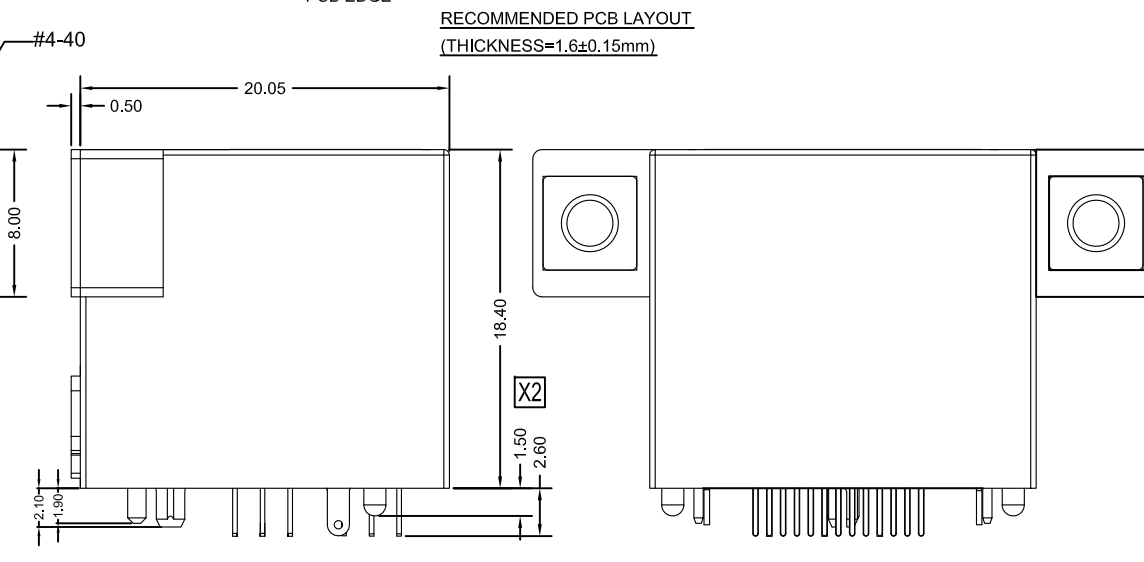
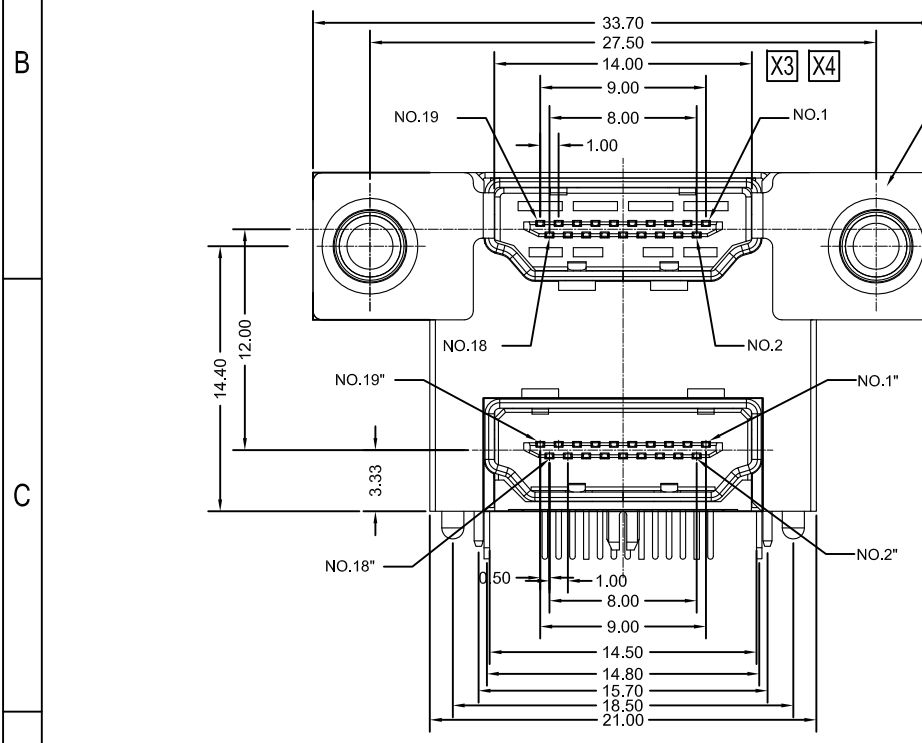


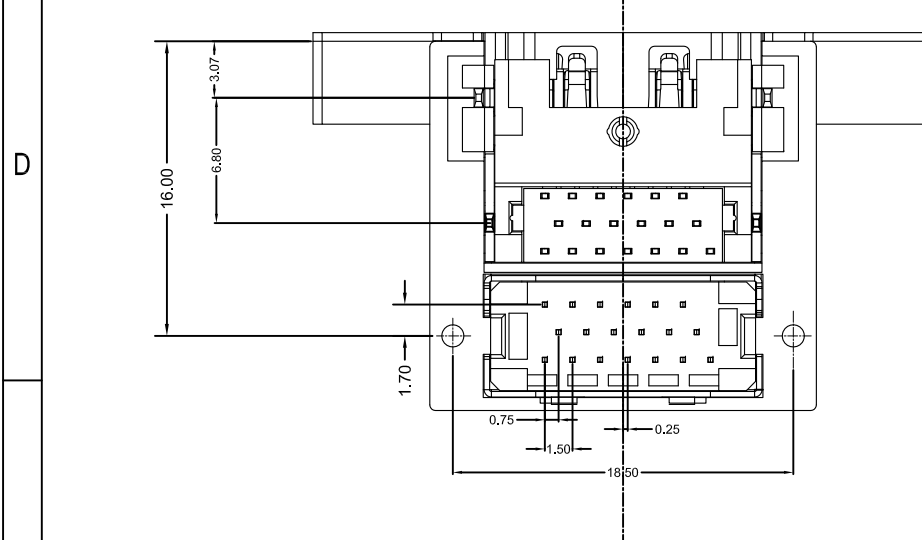
REV.	ECN. NO.	DESCRIPTION	ENG	DATE
X1		ISSUED	FOX	6/29/11'
X2		CORRECTED DIMENSIONS POSITION C4 18.4, 1.5, 2.6 CORRECTED PLATING NOTES	FOX	7/5/11'
X3		REMOVED TOL. B2 14.0 & C2 4.55	FOX	7/8/11'
X4		UPDATED DIMENSIONS	Kevin	9/27/11'

- NOTES:
- OPERATING CURRENT: 0.5A
 - OPERATION TEMPERATURE: -25°C TO +85°C
 - DIELECTRIC WITHSTANDING VOLTAGE: 300V AC
 - INSULATION RESISTANCE: 10M Ohms Min.
 - RoHS COMPLIANT



ORDERING INFORMATION
GT14-300154-X

- PLATING OPTION:
- 1 = GOLD FLASH ON CONTACT AREA over 30u" NICKEL OVERALL
 - 2 = 15u" GOLD ON CONTACT AREA over 30u" NICKEL OVERALL
 - 3 = 30u" GOLD ON CONTACT AREA over 30u" NICKEL OVERALL



ITEM	NAME	Q'TY	DESCRIPTION	NOTE
5	COVER	1	STEEL, 30u" Min. NI PLATING	
4	METAL SHIELD	2	BRASS, 30u" Min. NI PLATING	
3	TERMINAL	38	BRASS, 30u" Min. NI UNDER-PLATING	
2	BRACKET	1	PBT+30%GF, BLACK	
1	HOUSING	1	LCP+30%GF, BLACK	

GENERAL TOLERANCE	ANGLE TOLERANCE	DRAWN	DATE	
X.±1.00 .X±0.45 .XX±0.30 .XXX±	X°± 5° .X°± 3° .XX°± .XXX°±	FOX	6/29/11'	
MATL	FINISH	CHECKED	DATE	TITLE
SEE BOM	SEE NOTES			DUAL HDMI STACKED CONNECTOR THROUGH HOLE TYPE
SCALE	UNIT	APPROVED	DATE	PART NUMBER.
N/A	mm			GT14-300154-X
SHEET 1 OF 1				DRAWING NO.
				GT14-300154
				SIZE
				A4
				REV.
				X4

PRELIMINARY
NOT RELEASED