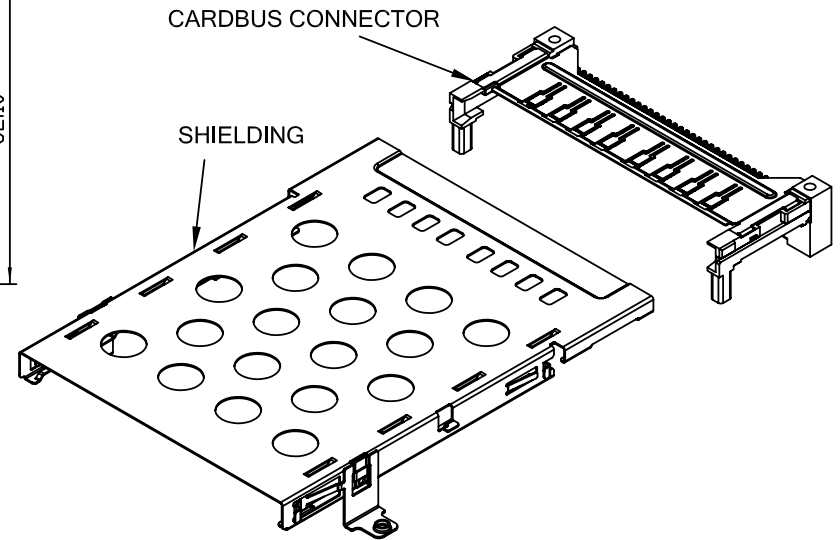


PCB LAYOUT : COMPONENT SIDE

NOTE:

1. SOLDER TAIL TO BE WITHIN 0.05 UPWARD AND 0.2 DOWNWARD FROM Z-DATUM PLACE, AND COPLANALITY OF SOLDER TAILS TO BE WITHIN 0.10. MEASUREMENT POINT IS SOLDER TAILS TIP.
2. PLEASE REFER TO TABLE 1 FOR TERMINAL LENGTH. TABLE 1
3. RoHS Compliant.



PIN TYPE	DIM. L ± 0.20	PIN NUMBER
DETECT	3.50 mm	36 , 67
GENERAL	4.25 mm	ALL OTHER PINS
POWER	5.00 mm	1, 17, 34, 35, 51, 68

TOLERANCE	
LINEAR	ANGLES
X. ± 0.30	X° ±
.X ± 0.20	.X° ±
.XX ± 0.10	.XX° ±
.XXX ± 0.05	.XXX° ±

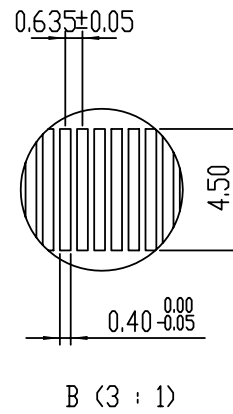
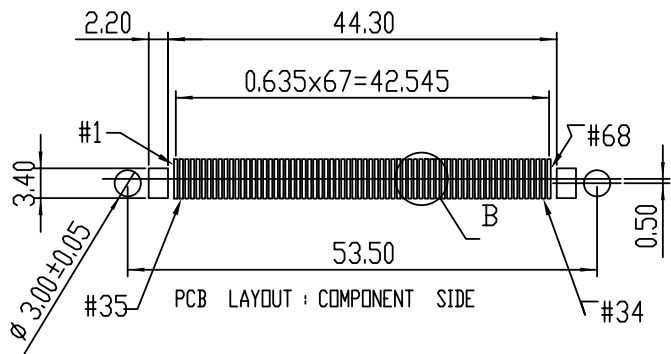
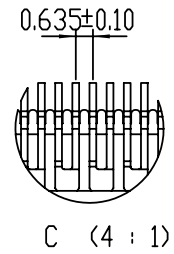
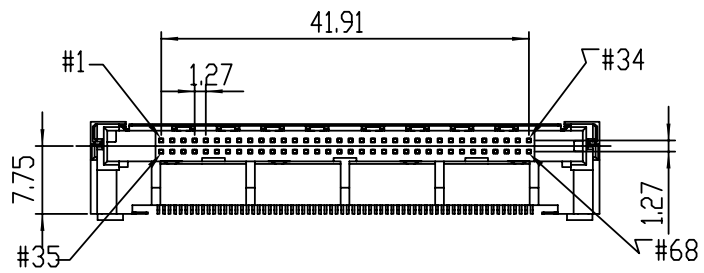
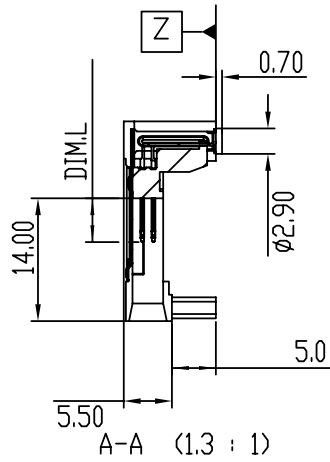
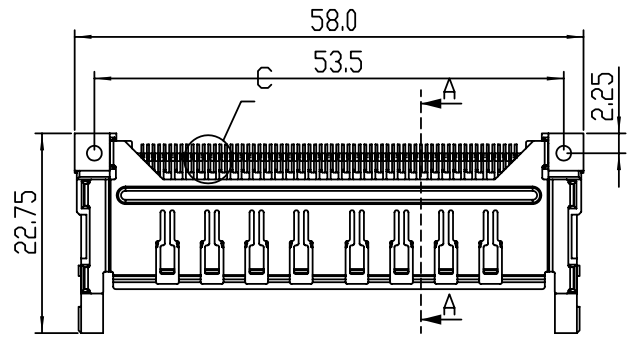


TITLE: CARDBUS CONNECTOR
SMT TYPE 5.0mm HEIGHT

PART NO. GTI08-30296

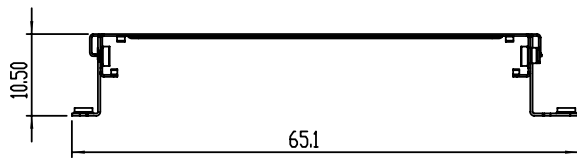
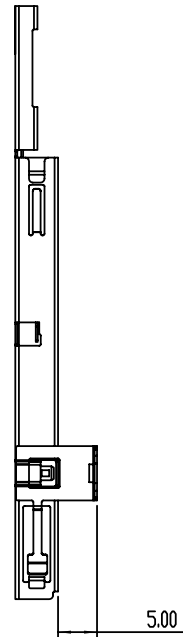
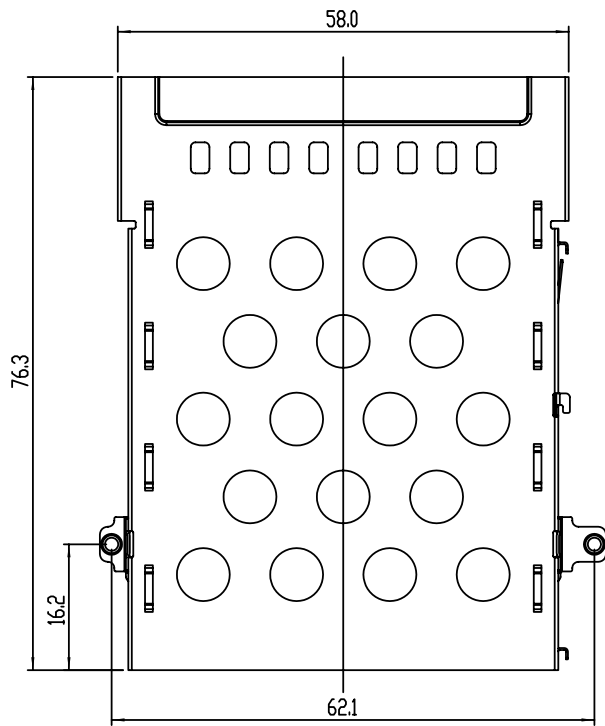
DWG NO. GTI08-30296

[A]	ISSUED	AXL	8/28/08	.XX ± 0.10	.XX° ±	APPD:	MAT'L:		UNITS	SCALE	SHEET	REV
REV	ECN NO.	NAME	DATE	.XXX ± 0.05	.XXX° ±	CHKD:	FINISH:		MM	NONE	1 OF 3	A
						DRWN: AXL	Q'TY:					



CARDBUS CONNECTOR

PART NO.	GTI08-30296	SHEET	REVISION
DWG NO.	GTI08-30296	2 OF 3	SEE SHEET 1



CARDBUS CONNECTOR SHIELD

PART NO.	GTI08-30296	SHEET	REVISION
DWG NO.	GTI08-30296	3 OF 3	SEE SHEET 1