

PCB LAYOUT: COMPONENT SIDE
PCB THK 1.60±0.10

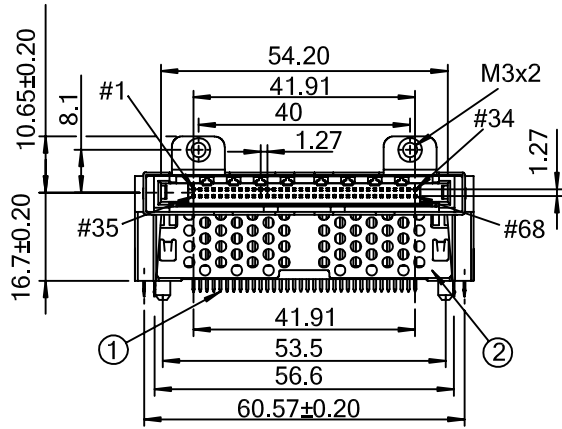


TABLE 1

PIN TYPE	DIM. L ±0.20	PIN NUMBER
DETECT	3.50mm	36,67
GENERAL	4.25mm	THE REST
POWER	5.00mm	1,17,34,35,51,68

NOTES:

- CONTACT: COPPER ALLOY+GOLD FLASH.
- EMI SHELL: STAINLESS STEEL+TIN PLATED.
- LOCATOR: PBT+GF30%(UL94V-0).
- BASE: PBT+GF30%(UL94V-0).
- CARD BUS: STAINLESS STEEL.
- HOOK PIN: PHOSPHOR BRONZE+TIN PLATED+GOLD FLASH.
- TOP SHIELD: SPCC+NICKEL PLATED.
- PLEASE REFER TO TABLE 1 FOR TERMINAL LENGTH.
- RoHs Compliant

				TOLERANCE		 1015 GRANT STREET S.E. ATLANTA, GA 30315 a Genesis Electro-Mechanical Company		TITLE: PCMCIA ASSEMBLY					
		LINEAR	ANGLES		PART NO. GTI08-30361								
		X. ± 0.30	X° ± 2.00°		DWG NO. GTI08-30361								
[B]	UPDATED DRAWING	AXL	4/6/09'	.X ± 0.20	APPD:		MAT'L:		UNITS		SCALE	SHEET	REV
[A]	ISSUED	FOX	11/03/08	.XX ± 0.10	CHKD:		FINISH:		MM		NONE	1 OF 1	B
REV	ECN NO.	NAME	DATE	.XXX ± 0.05	DRWN: FOX		Q'TY:						