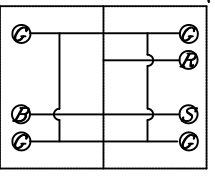
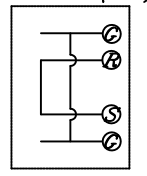
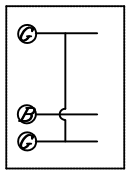


CIRCUIT DIAGRAM

BEFORE MATE WITH PLUG(N.C) AFTER MATE WITH PLUG(N.O)

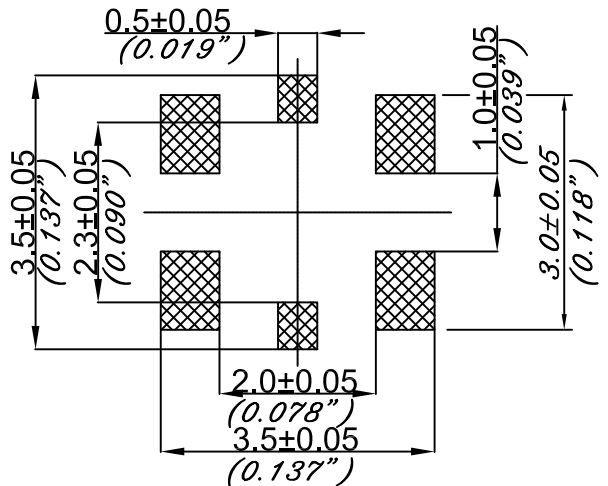


PLUG

GT109-20053

PLUG GT109-20053

SPECIFICATIONS:
MECHANICAL CHARACTERISTICS:
 DURABILITY--500 CYCLES
ELECTRICAL CHARACTERISTICS:
 NORMAL IMPEDANCE-- 50 OHMS
 FREQUENCY RANGE-- V.S.W.R 1.3dB Max./ 0~6 GHz
 CONTACT RESISTANCE 0.05 OHMS MAX.
DIELECTRICAL WITHSTANDING VOLTAGE--300V AC.
 INSULATION RESISTANCE-- 500 MEGOHMS MIN.
ENVIROMENTAL CHARACTERISTICS:
 TEMPERATURE RANGE-- -40°C TO +90°C
 STORE IN MAUNFACTURE'S PACKAGE OR TIGHTLY
 RECLOSED BOX WITH THE FOLLOWING CONDITIONS.
 TEMPERATURE : -10°C - +40°C
 HUMIDITY : 15% - 85% RH
 USE THIS PRODUCT WITHIN 6 MONTHS AFTER RECEIPT.
 CHECK THE TERMINAL SOLDERABILITY BEFORE USE,
 IF THE PRODUCT HAS BEEN STORED FOR MORE THAN 6 MONTHS.



RECOMMENDED P.C.B PATTERN

NO	DESCRIPTION	MATERIAL & TERATMENT	REMARK
1	GROUND CONTACT	BRASS WITH GOLD PLATING	
2	UPPER INSULATOR	LCP (UL94V-0)	
3	LOWER INSULATOR	LCP (UL94V-0)	
4	SPRING CONTACT	BERYLLIUM COPPER WITH GOLD PLATING	
5	RETENTION CONTACT	BERYLLIUM COPPER WITH GOLD PLATING	

TOLERANCE	
LINEAR	ANGLES
X.±	X°±
.X±	.X°±
.XX±	.XX°±
.XXX±	.XXX°±



TITLE: MICROWAVE SWITCH CONNECTOR

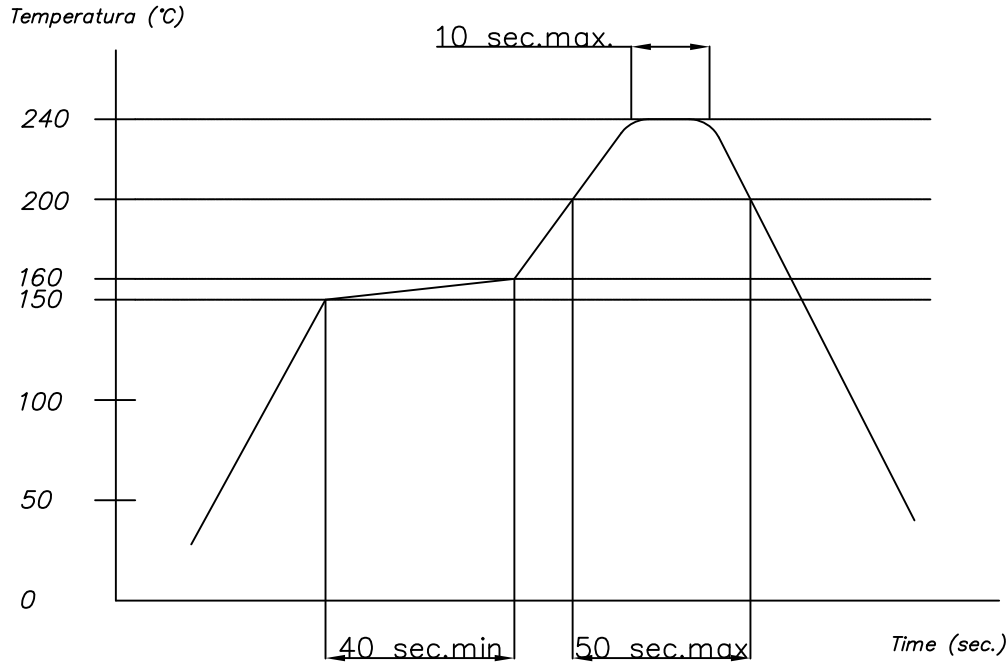
PART NO. GTI09-20053
 DWG NO. GTI09-20053

[A]	ISSUED	Hanson	04/03/09'
REV	ECN NO.	NAME	DATE

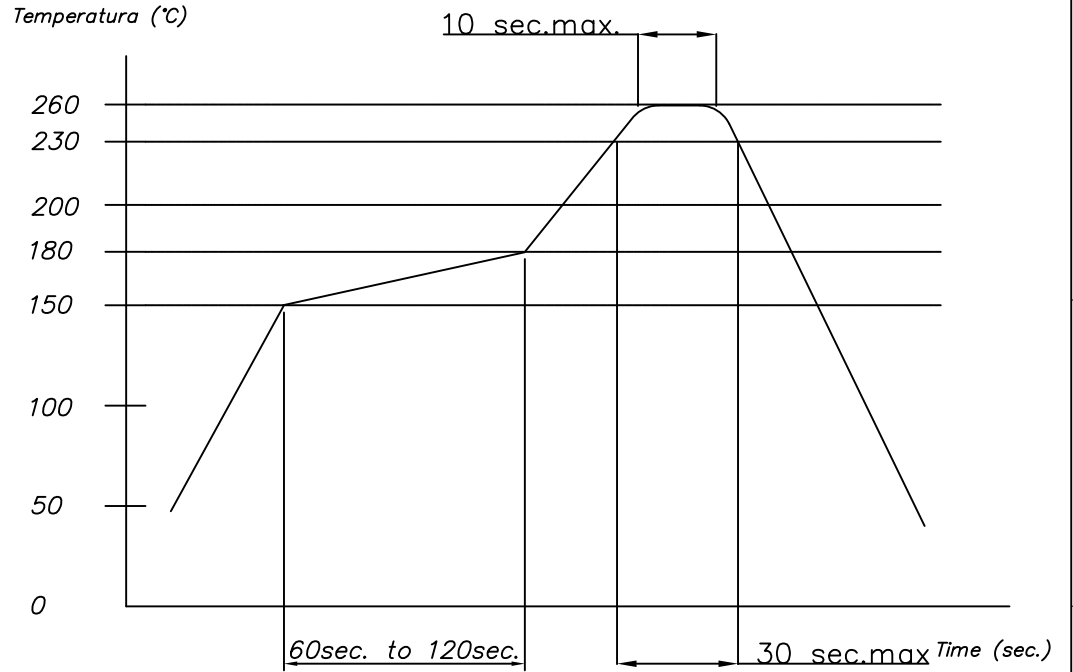
APPD:	MAT'L:	DWG NO.	GTI09-20053
CHKD:	FINISH:	UNITS	SCALE
DRWN:	Q'TY:	m.m.	NONE
		SHEET	1 OF 3
		REV	A




RECOMMENDED TEMPERATURE PROFILE

Typical Solder Paste



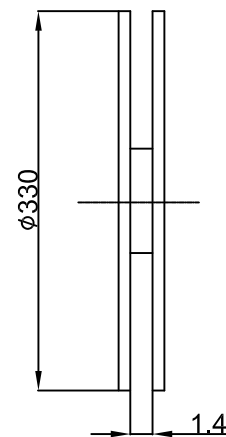
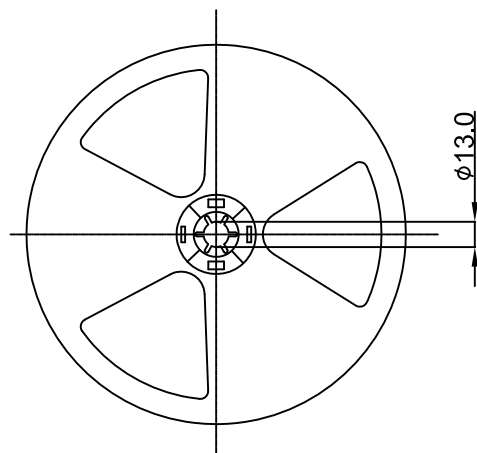
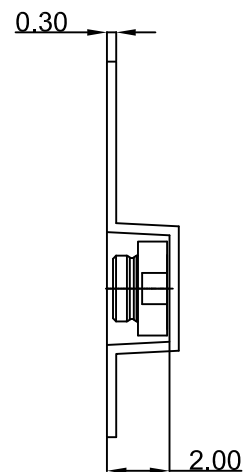
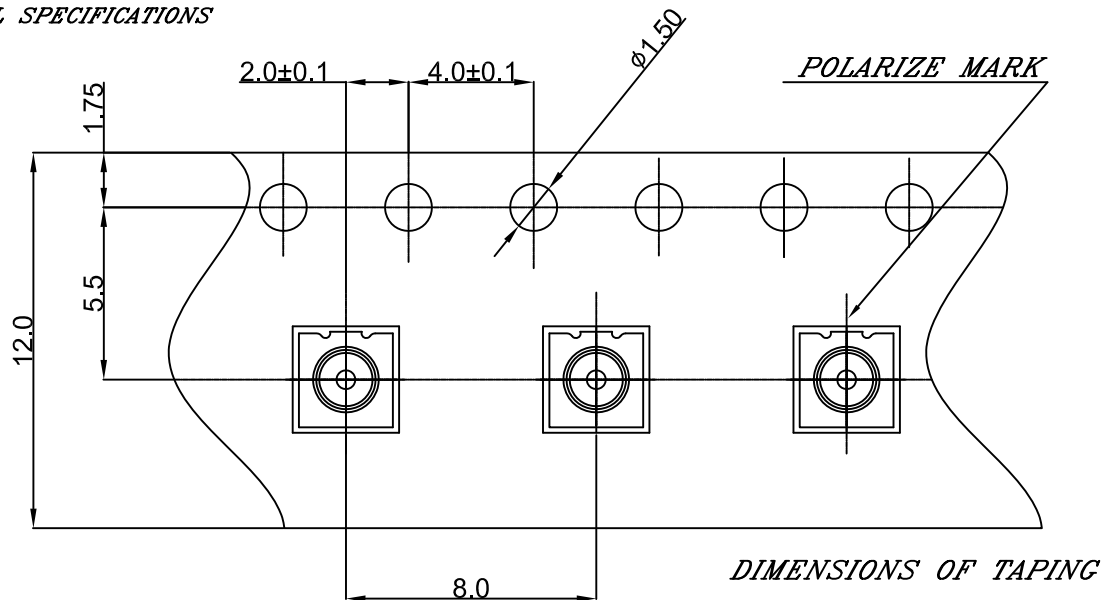
Lead-free Solder Paste




TOLERANCE		 <small>7F, No. 191, Sec. 2 Chung-Yang Rd., Tu-Cheng City Taipei Hsien, Taiwan</small>		TITLE: MICROWAVE SWITCH CONNECTOR				
LINEAR	ANGLES			PART NO. GTI09-20053				
X.±	X°±	APPD:	MAT'L:	DWG NO. GTI09-20053				
.X±	.X°±	CHKD:	FINISH:	 	UNITS	SCALE	SHEET	REV
.XXX±	.XXX°±	DRWN:	Q'TY:		m.m.	NONE	2 OF 3	A

[A]	ISSUED	Hanson	04/03/09'
REV	ECN NO.	NAME	DATE

TAPE AND REEL SPECIFICATIONS



DIMENSIONS OF REEL (3000 PIECES/REEL)

TOLERANCE		 <small>7F, No. 191, Sec. 2 Chung-Yang Rd., Tu-Cheng City Taipei Hsien, Taiwan</small>
LINEAR	ANGLES	
X.±	X°±	APPD: _____ MAT'L: _____ CHKD: _____ FINISH: _____ DRWN: _____ Q'TY: _____
.X±	.X°±	
.XX±	.XX°±	PART NO. _____ DWG NO. _____
.XXX±	.XXX°±	

TITLE: MICROWAVE SWITCH CONNECTOR			
PART NO. GTI09-20053		DWG NO. GTI09-20053	
UNITS	SCALE	SHEET	REV
m.m.	NONE	3 OF 3	A

[A]	ISSUED	Hanson	04/03/09'
REV	ECN NO.	NAME	DATE