

1 2 3 4 5 6 7 8

A

A

B

B

C

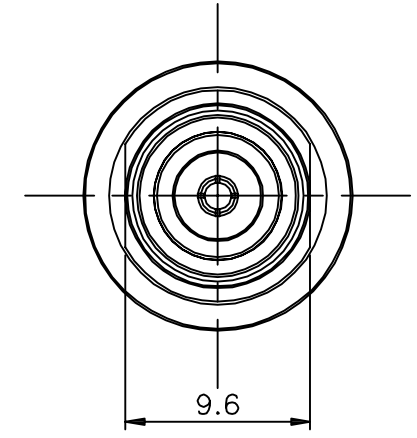
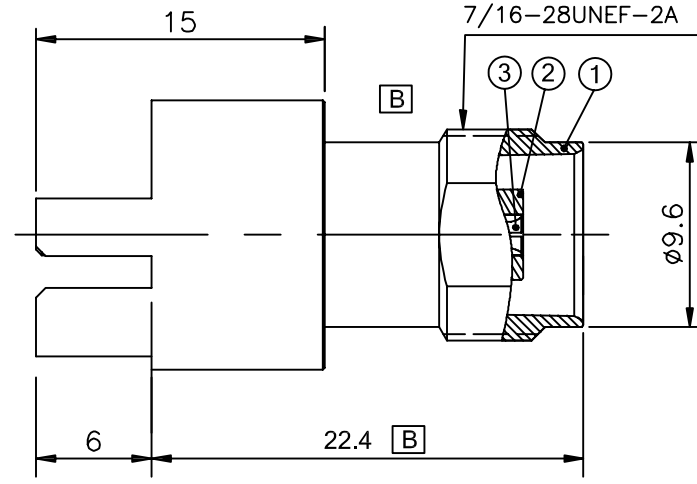
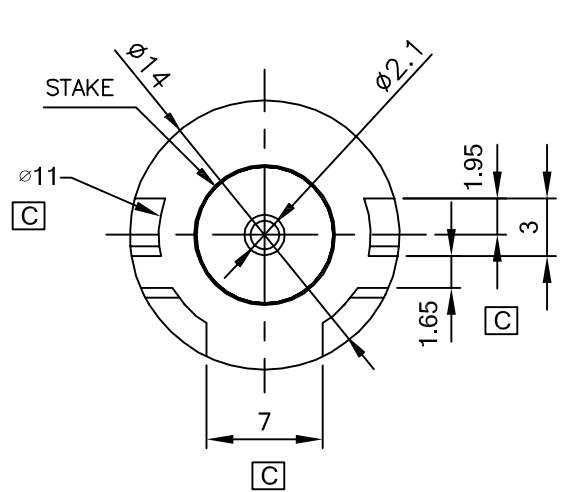
C

D

D


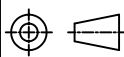
E

E



RoHS COMPLIANT

3	Pin	BeCu	Gold Plated
2	Dielectric	Teflon	
1	Body	Brass	Nickel Plated
No.	Name	Material	Finish

				TOLERANCE		 <small>1015 GRANT STREET S.E. ATLANTA, GA 30315</small> a Genesis Electro-Mechanical Company		TITLE: TNC R/A CONNECTOR			
		LINEAR		ANGLES	PART NO. GTI09-30070			DWG NO. GTI09-30070			
C	Correct Dim. from 2 to 1.65mm and add Dim. and opening 7mm for soldering	AXL	5/11/09'	X. ±	X° ±	APPD:	MAT'L:	 UNITS SCALE SHEET REV MM NONE 1 OF 1 C			
B	Eliminate bulkhead mount feature and Change Dim. from 38.6 to 22.4	AXL	4/8/09'	.X ± 0.40	.X° ±	CHKD:	FINISH:				
A	ISSUED	AXL	4/2/09'	.XX ± 0.30	.XX° ±	DRWN: AXL	Q'TY:				
REV	ECN NO.	NAME	DATE	.XXX ± 0.20	.XXX° ±						

1 2 3 4 5 6 7 8