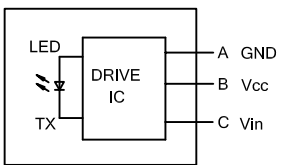
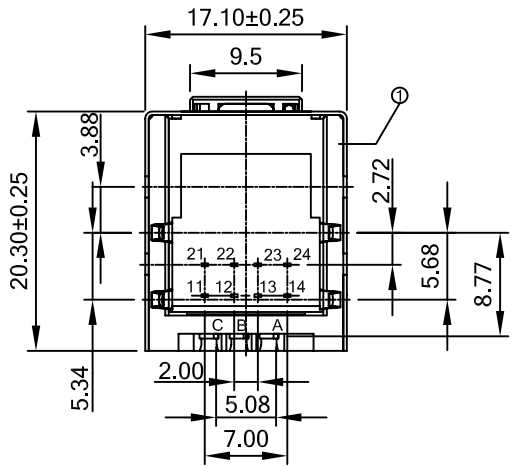


RECOMMENDED PCB LAYOUT THICKNESS 2.0
 <BOTTOM VIEW>
 NOTE : TOLERANCE FOR PCB LAYOUT IS ± 0.05



NOTES:
 1. RoHs COMPLIANT

ITEM	DESCRIPTIONs	MATERIAL	FINISH	Q'TY	NOTE
⑨	TX UNIT			1	
⑧	USB FINGER	COPPER ALLOY		1	
⑦	SHIELDS	COPPER ALLOY	NI	1	
⑥	CONTACTS	COPPER ALLOY	TIN	3	
⑤	SPRING	STAINLESS STEEL		1	
④	GATE	HIGH TEMP PLASTIC		1	BLACK
③	FRAME	HIGH TEMP PLASTIC		1	BLACK
②	MINOR HOUSING	HIGH TEMP PLASTIC		1	BLACK
①	HOUSING	HIGH TEMP PLASTIC		1	BLACK

TOLERANCE	
LINEAR	ANGLES
X. ±	X° ± 5°
.X ± 0.30	.X° ± 3°
.XX ± 0.20	.XX° ±
.XXX ±	.XXX° ±

GENESIS TECHNOLOGY, INC
 1015 GRANT STREET S.E.
 ATLANTA, GA 30315
 a Genesis Electro-Mechanical Company

TITLE: SPDIF WITH 2 USB STACKED CONNECTOR
 PART NO. GTI09-30094
 DWG NO. GTI09-30094

ISSUED	FOX	4/22/09	.XX ± 0.20	.XX° ±	APPD:	MAT'L:	DWG NO.	GTI09-30094	UNITS	SCALE	SHEET	REV
ECN NO.	NAME	DATE	.XXX ±	.XXX° ±	CHKD:	FINISH:	MM	NONE	1 OF 1	A		
REV					DRWN: FOX	Q'TY:						