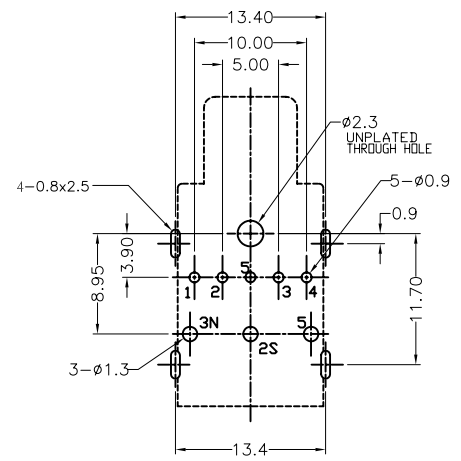
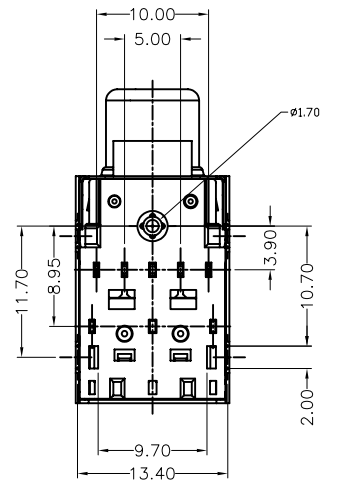


ORDER INFORMATION

PART NUMBER	COLOR	
	PHONE JACK	RCA
GTi09-30079-A	BLACK	ORANGE 157C



RECOMMEND PCB LAYOUT (BOTTOM VIEW) TOLERANCE:±0.05mm



ITEM	DESCRIPTIONs	MATERIAL	FINISH	Q'TY	NOTE
16	SHIELD(BACK)	PBS+NI		1	
15	SHIELD(FRONT)	Brass	NI	1	
14	SPACER	PA/LCP	94V-0	1	
13	GND CONTACT(E-JACK)	Brass	Tin	1	
12	T CONTACT(E-JACK)	PBS	Au/Tin	1	
11	T SHUNT(E-JACK)	Brass	Tin	1	
10	R SHUNT(E-JACK)	Brass	Tin	1	
9	R CONTACT(E-JACK)	PBS	Au/Tin	1	
8	HOUSING(E-JACK)	PBT	94V-0	1	
7	INSULATOR(RCA)	PBT	94V-0	1	
6	CONTACT 3N(RCA)	PBS	Tin	1	
5	CONTACT 2S(RCA)	Brass	Tin	1	
4	SOLDERING LEAD OF GND(RCA)	Brass	Tin	1	
3	BUSHING(RCA)	Brass	NI	1	
2	COLOR RING(RCA)	PBT	94V-0	1	
1	HOUSING(RCA)	PBT	94V-0	1	

TOLERANCE	
LINEAR	ANGLES
X. ±	X° ±
.X ± 0.40	.X° ±
.XX ± 0.30	.XX° ±
.XXX ± 0.20	.XXX° ±



TITLE: PHONE JACK OVER RCA PIN JACK			
PART NO.	GTi09-30079-A		
DWG NO.	GTi09-30079		
UNITS	SCALE	SHEET	REV
MM	NONE	1 OF 1	A

A	ISSUED	AXL	4/13/09
REV	ECN NO.	NAME	DATE

APPD:	MAT'L:
CHKD:	FINISH:
DRWN: AXL	Q'TY: