

SECTION BBB-BBB

SECTION AAA-AAA

NOTES:

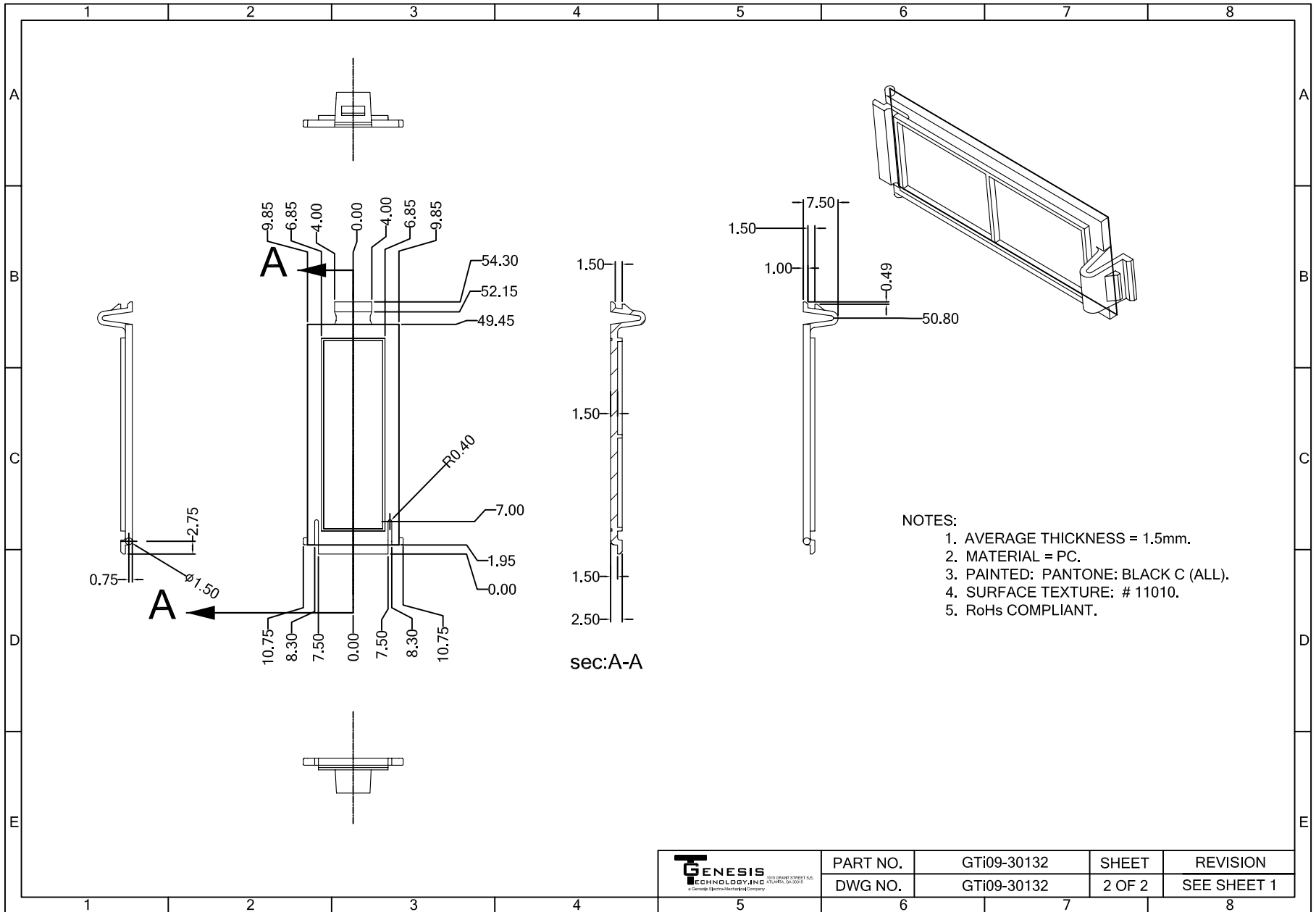
1. MATERIAL: PC + ABS PLASTIC BLEND (PC-540)
2. COLOR: BLACK
3. OUTSIDE SURFACES (EXCEPT AS NOTED) SHALL BE TEXTURED PER "MT - 11010".
4. DRAFT: 1° UNLESS OTHERWISE SPECIFIED.
5. ALL EXTERIOR SURFACES TO BE FREE OF SINK, GATE MARKS, EJECTOR MARKS AND SIMILAR VISIBLE MARKS.
6. RoHS COMPLIANT.
7. COVER AND HOUSING TO BE SHIPPED AS ASSEMBLY.

TOLERANCE	
50.X → 100	±0.20
30.X → 50	±0.15
0.X → 30	±0.10
ANGLE	± 2°


GENESIS TECHNOLOGY, INC.
1015 GRANT STREET S.E. ATLANTA, GA 30315
a Genesis Electro-Mechanical Company

TITLE: SIMM BOX & COVER			
PART NO. GTI09-30132		DWG NO. GTI09-30132	
UNITS	SCALE	SHEET	REV

A	ISSUED	FOX	6/12/09
REV	ECN NO.	NAME	DATE



- NOTES:**
1. AVERAGE THICKNESS = 1.5mm.
 2. MATERIAL = PC.
 3. PAINTED: PANTONE: BLACK C (ALL).
 4. SURFACE TEXTURE: # 11010.
 5. RoHS COMPLIANT.

sec:A-A

 <small>105 GRANT STREET, S.E. ATLANTA, GA 30316 a Genetec Electronic Imaging Company</small>	PART NO.	GTI09-30132	SHEET	REVISION
	DWG NO.	GTI09-30132	2 OF 2	SEE SHEET 1