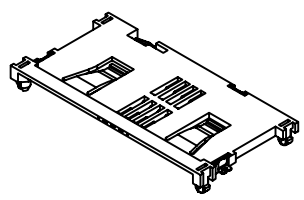
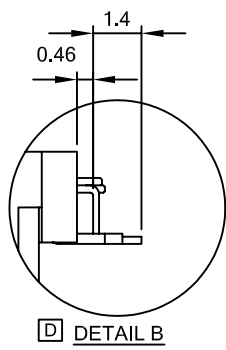
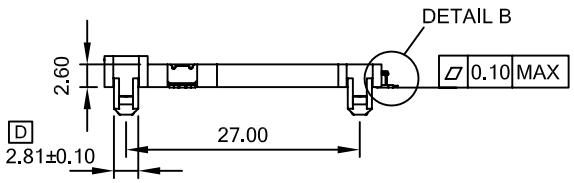


B ORDERING INFORMATION
GTI10-30006-XX

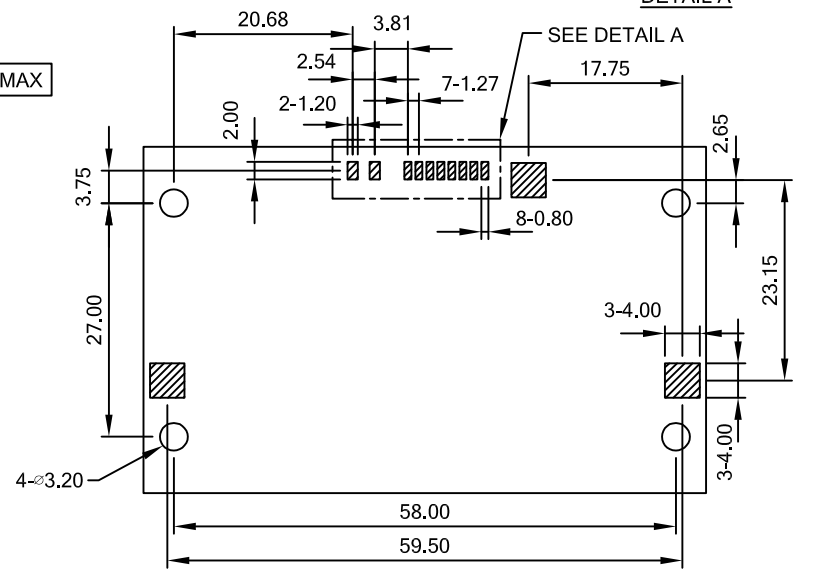
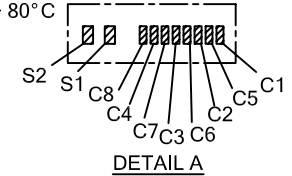
01: 1.0mm P.C.B. THICKNESS
02: 1.6mm P.C.B. THICKNESS

PART NUMBER	X±0.05	Y±0.10
GTI10-30006-01	1.00	3.20
GTI10-30006-02	1.60	3.80



REV.	ECN. NO.	DESCRIPTION	ENG	DATE
A		ISSUED	FOX	2/8/10'
B		ADDED ORDERING INFORMATION	FOX	2/22/10'
C		ADD 3RD PAD	AXL	2/25/10'
D		ADD DIMENSIONS	AXL	3/3/10'

- NOTES:**
1. THE CONTACT LOCATIONS AND PIN OUT MUST COMPLY WITH ISO7816-2
 2. MATERIALS:
HOUSING: LCP, MG350 + 35% G.F. UL94V-0, COLOR: BLACK
CONTACTS: COPPER ALLOY
SWITCH: COPPER ALLOY
 3. FINISH:
CONTACTS: PLATE NICKEL 50u" MIN OVER ALL SURFACE
GOLD 15u" ON MATING SURFACE, TIN 80u" MIN IN SOLDER TAIL.
FINISH: SWITCH: PLATE NICKEL 50u" MIN OVER ALL SURFACE
GOLD 1u" MIN ON MATING SURFACE, TIN 80u" MIN ON SOLDER TAIL
 4. NDS MATING FORCE: 300GF MIN, 700GF MAX;
UNMATING FORCE: 300GF MIN, 700GF MAX.
 5. OPERATING TEMPERATURE RANGE: -30 °C ~ + 80 °C
 6. CURRENT RATING: 1 AMP MAX.
 7. VOLTAGE: AC35V/PIN
 8. INSULATION RESISTANCE: 1000MΩ
 9. RoHS COMPLIANT



C RECOMMENDED PCB LAYOUT
TOLERANCE: ±0.05MM

GENERAL TOLERANCE X, ±0.30 .X, ±0.20 .XX, ±0.10 .XXX, ±0.05	ANGLE TOLERANCE X° ± 2.00° .X° ± 1.00° .XX° ± 0.50° .XXX° ±	DRAWN FOX	DATE 2/8/10'		TITLE: SMT SMART CARD ASSEMBLY TYPE W/CARD DETECTION SWITCH
MATL SEE BOM	FINISH SEE NOTES	CHECKED	DATE		PART NUMBER: GTI10-30006-XX
SCALE N/A	UNIT mm	APPROVED	DATE	DRAWING NO. GTI10-30006	SIZE A4 REV. D
SHEET 1 OF 1					