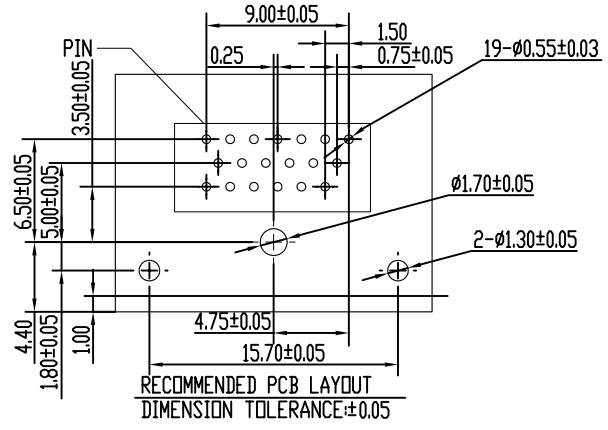
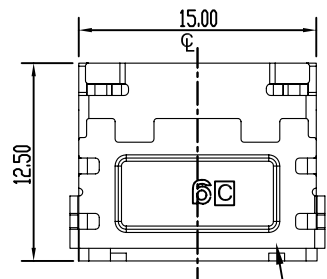


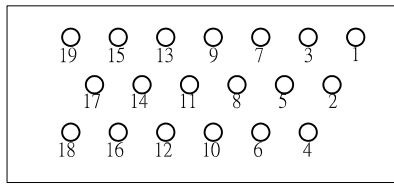
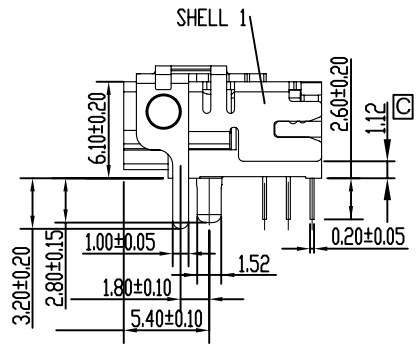
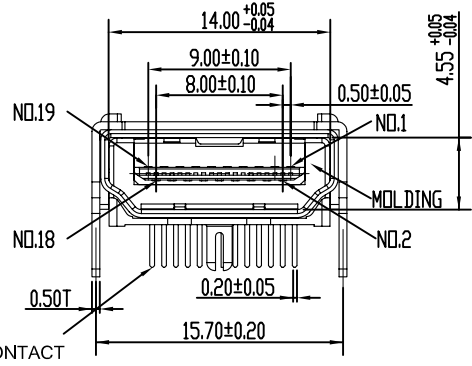
REV.	ECN. NO.	DESCRIPTION	ENG	DATE
A		ISSUED	AXL	2/23/10'
B		REVISE PN	VEGAS	3/05/10'
C		CORRECTED NOTE ADDED LOGO ADDED DIMENSION	FOX	3/5/10'



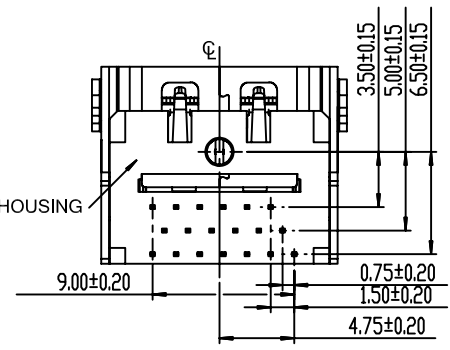
- NOTES:
- 1.MATERIAL: HOUSING :PBT, 30%G/F, COLOR:BLACK,UL-94V0  
SHELL1:BRASS,T=0.50 MM  
SHELL2:SPCC,T=0.50 MM  
CONTACT:BRASS,T=0.20 MM
  2. FINISH:CONTACTS:GOLD PLATE ON MATING SURFACE, TIN 80u" ON SOLDER TAIL,ALL OVER NICKEL 50u" UNDER PLATE  
SHELL:ALL OVER NICKEL 50u" UNDER PLATE
  3. CURRENT RATING: 0.5 A.
  4. DIELECTRIC WITHSTANDING VOLTAGE: AC 300V r.m.s.
  5. INSULATION RESISTANCE: 100Mohms min.
  6. CONTACT RESISTANCE: 30 mohms.
  7. SOLDER PROFILE: 260°C FOR 5 SECONDS.
  8. HDMI 1.3b CAT 2 COMPLIANT.
  9. RoHS 6/6 COMPLIANT.

**B** ORDER INFORMATION  
HDAR- 2R 19- A K X 3 T 1A  
① ② ③ ④ ⑤ ⑥ ⑦ ⑧

1. CONNECTOR:  
HDAR: HDMI R/A CONNECTOR
2. TYPE:  
2R: FEMALE, DIP TYPE
3. POSITIONS:  
19: 19 POSITIONS
4. INSULATOR MATERIAL:  
A: PBT
5. INSULATOR COLOR:  
K: BLACK
6. CONTACT PLATING:  
2: 3u" Au ON CONTACT AREA, BRIGHT TIN PLATING ON SOLDER PIN  
3: 5u" Au ON CONTACT AREA, BRIGHT TIN PLATING ON SOLDER PIN  
4: 10u" Au ON CONTACT AREA, BRIGHT TIN PLATING ON SOLDER PIN  
5: 15u" Au ON CONTACT AREA, BRIGHT TIN PLATING ON SOLDER PIN  
6: 30u" Au ON CONTACT AREA, BRIGHT TIN PLATING ON SOLDER PIN
7. SHIELD PLATING:  
3: NICKEL PLATING
8. PACKING  
T: TRAY PACKING



PIN POSITION



ITEM	NAME	QTY	DESCRIPTION	NOTE
1				
2				
3				
4				
5				

GENERAL TOLERANCE X. $\pm$ 0.30 .X $\pm$ 0.20 .XX $\pm$ 0.10 .XXX $\pm$	ANGLE TOLERANCE X $^{\circ}$ $\pm$ 2.00 $^{\circ}$ .X $^{\circ}$ $\pm$ 1.00 $^{\circ}$ .XX $^{\circ}$ $\pm$ 0.50 $^{\circ}$ .XXX $^{\circ}$ $\pm$ 0.10 $^{\circ}$	DRAWN AXL	DATE 2/23/10'	
MATL SEE BOM	FINISH SEE NOTES	CHECKED	DATE	
SCALE N/A	UNIT mm	APPROVED	DATE	PART NUMBER. HDAR-2R19-AKX3T1A
SHEET 1 OF 1				DRAWING NO. GTI10-30027
				SIZE A4 REV. C