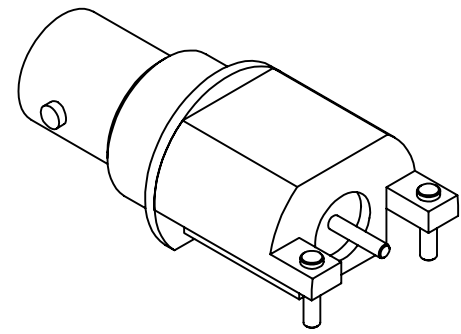
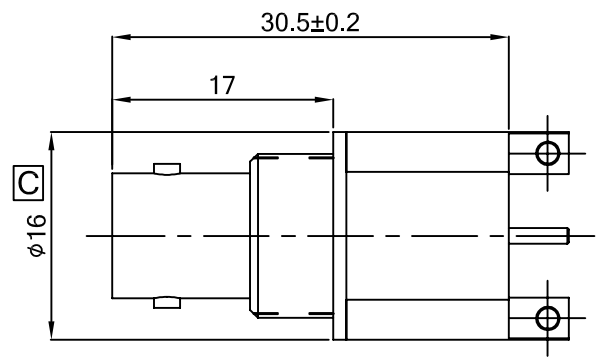


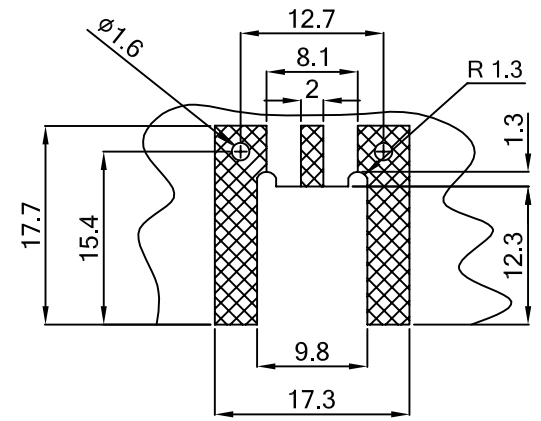
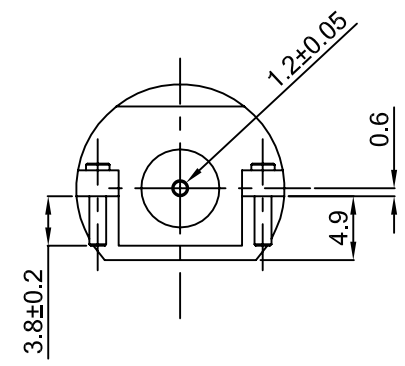
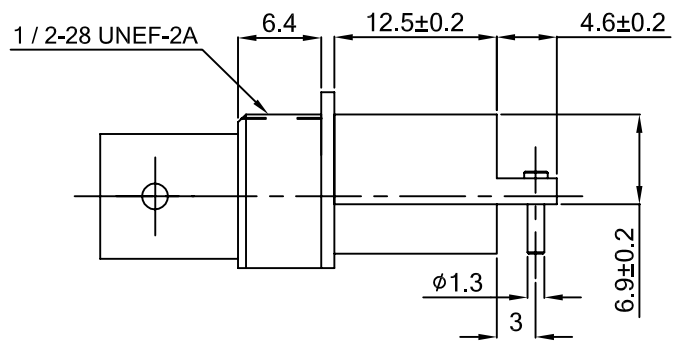
REV.	ECN. NO.	DESCRIPTION	ENG	DATE
A		ISSUED	FOX	9/10/10'
B		UPDATED DRAWING	FOX	9/13/10'
C		CORRECTED DIMENSION B1	FOX	11/29/10'
D		ADDED PLATING OPTION	FOX	1/19/11'



**B**

**NOTES:**

- CENTER CONTACT: SEE ORDERING INFORMATION
- BODY:
  - MATERIAL: BRASS
  - PLATING: NICKEL PLATED 1.5um OVER COPPER 1.5um
- INSULATOR:
  - MATERIAL: TEFLON
- RETURN LOSS:
  - 30 dB (0 ~ 1.5 GHz)
  - 23 dB (1.5 ~ 3.0 GHz)
- APPLICATION DATA:
  - DESIGNED FOR USE WITH .110 [2.8] PCB THICKNESS



RECOMMENDED PCB LAYOUT  
TOLERANCE ± 0.05 UNLESS OTHERWISE SPECIFIED

**D** ORDERING INFORMATION  
GTi10-30111-X  
CONTACT PLATING OPTION

- GOLD 1u"
- GOLD 5u"
- GOLD 10u"
- GOLD 15u"

RoHS 6/6 Compliant

GENERAL TOLERANCE X± .X±0.38 .XX±0.25 .XXX±0.13	ANGLE TOLERANCE X°± .X°± .XX°± .XXX°±	DRAWN FOX	DATE 9/10/10'	
MATL SEE BOM	FINISH SEE NOTES	DESIGN	DATE	
SCALE N/A	UNIT mm	CHECKED	DATE	PART NUMBER GTi10-30111-X
SHEET 1 OF 1		APPROVED	DATE	DRAWING NO. GTi10-30111
				SIZE A4
				REV. D

ITEM	NAME	Q'TY	DESCRIPTION	NOTE
1				
2				
3				
4				
5				