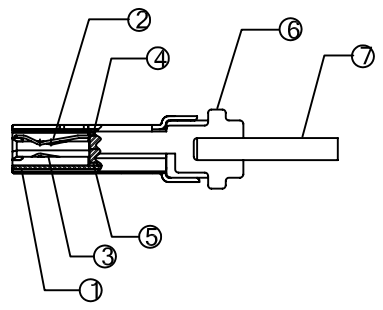
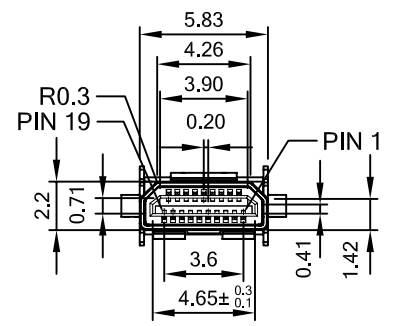


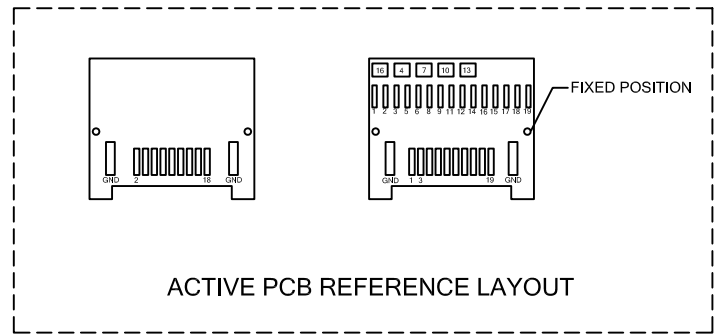
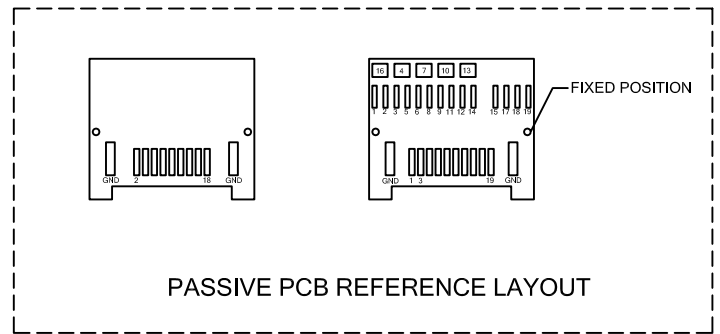
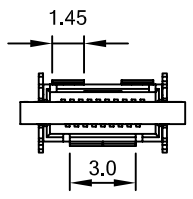
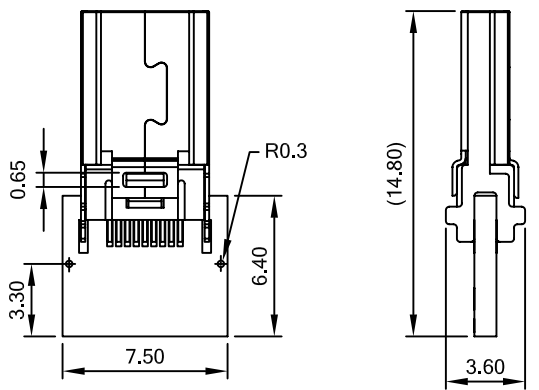
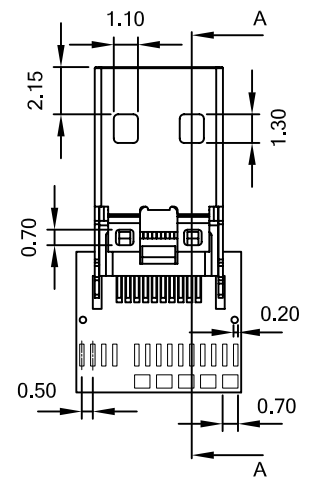
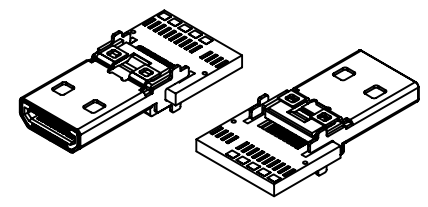
REV.	ECN. NO.	DESCRIPTION	ENG	DATE
A		ISSUED	AXL	10/4/10'
B		ADDED PAGE 2 ILLUSTRATION	FOX	2/22/11'



SECTION A-A

GTI10-30119-XX

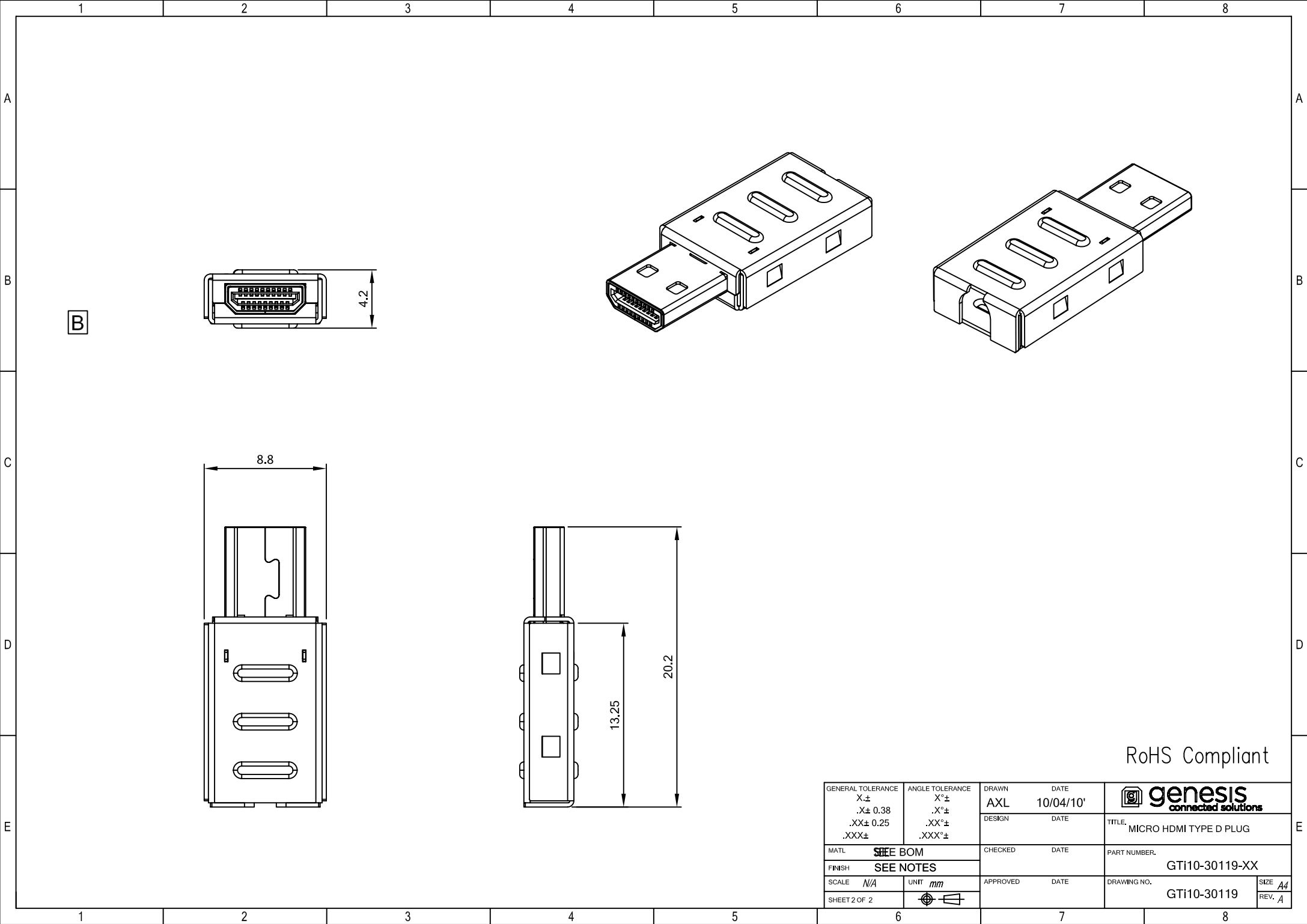
- CONTACT PLATING
- 0: GOLD FLASH
- 1: GOLD 3u"
- 2: GOLD 15u"
- 3: GOLD 30u"
- PCB OPTION
- 0: WITHOUT PCB
- 1: PASSIVE PCB
- 2: ACTIVE PCB



ITEM	DESCRIPTIONs	MATERIAL	FINISH	Q'TY	NOTE
⑦	PCB		See Description	1	OPTION
⑥	SHELL	BRASS	Ni	1	
⑤	BOTTOM COVER	HIGH TEMP PLASTIC	Black	1	
④	TOP COVER	HIGH TEMP PLASTIC	Black	1	
③	M2	COPPER	See Description	9	OPTION
②	M1	COPPER	See Description	10	OPTION
①	HOUSING	HIGH TEMP PLASTIC	Black	1	

GENERAL TOLERANCE	ANGLE TOLERANCE	DRAWN	DATE
X.±	X°±	AXL	10/04/10'
.X± 0.38	.X°±	DESIGN	DATE
.XX± 0.25	.XX°±	CHECKED	DATE
.XXX±	.XXX°±	APPROVED	DATE
MATL	SEE BOM	SCALE	N/A
FINISH	SEE NOTES	UNIT	INCH [mm]
SHEET 1 OF 2			

RoHS COMPLIANT			
TITLE: MICRO HDMI TYPE D PLUG		PART NUMBER: GTI10-30119-XX	
DRAWING NO. GTI10-30119		SIZE A4	
REV. B			



GENERAL TOLERANCE		ANGLE TOLERANCE		DRAWN		DATE			
X ±		X° ±		AXL		10/04/10'			
.XX ± 0.38		.X° ±		DESIGN		DATE		TITLE	
.XX ± 0.25		.XX° ±						MICRO HDMI TYPE D PLUG	
.XXX ±		.XXX° ±						PART NUMBER	
								GTi10-30119-XX	
MATERIAL				CHECKED		DATE		DRAWING NO.	
SEE BOM								GTi10-30119	
FINISH				APPROVED		DATE		DRAWING NO.	
SEE NOTES								GTi10-30119	
SCALE		UNIT		SHEET 2 OF 2				SIZE A4 REV. A	
N/A		mm							

RoHS Compliant