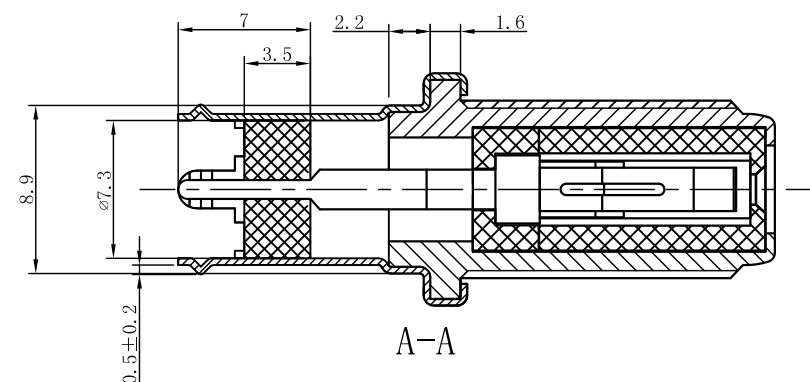
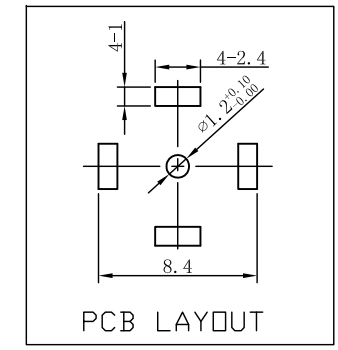
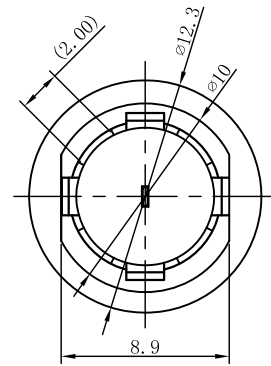
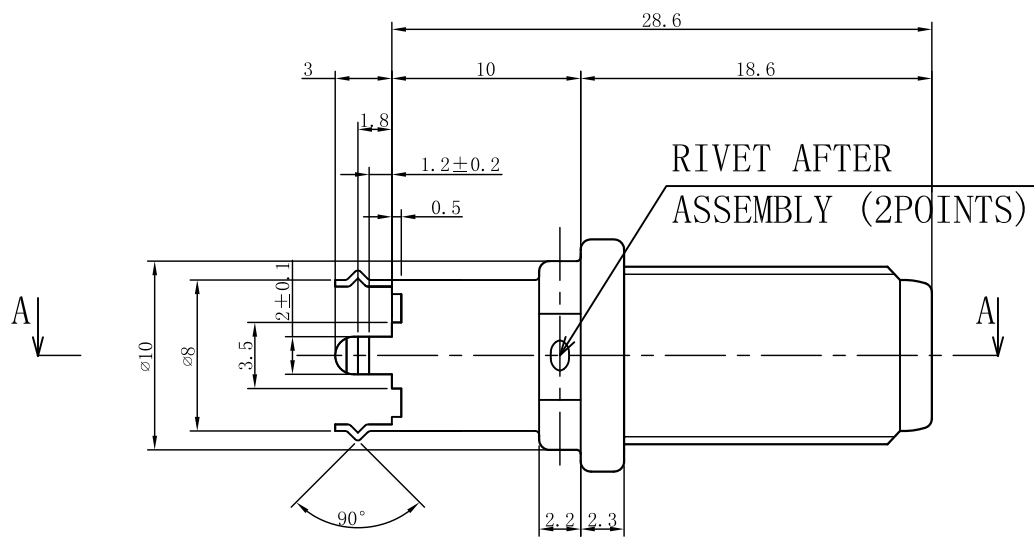

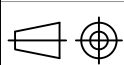


No.	P/N	Description	Material	Qty	Ratio/g	Finish
1	GTI09-60229-1	Body	1.2T C2680R	1		Cu1-3umNi1-3um
2	GTI09-60229-2	Centre Pin	0.3T C5191R	1		Cu1-3umSn2-6um
3	GTI09-60229-3	Insulation A	PPS	1		
4	GTI09-60229-4	Insulation B	PPS	1		
5	GTI09-60229-5	Insulation C	POM	1		
6	GTI09-60229-6	Mount Cap	0.35T C5191R	1		T=0.6mm



NOTES

- 1) 3 / 8 32-UNEF-2A" IT SHALL BE DIA $\phi 9.35-9.5$
- 2) THREAD OF 3 / 8 32-UNEF-2A" SHALL BE GO BY NUT OF "-2B" & "-2B" NUT SHALL BE SATISFIED BY EACH "GO" & "SOTP" GAUGE
- 3) THE CLINCH STRENGTH OF BETWEEN SHELL AND MOUNT CAP IS 0.7 N.M(7KG.CM) OR MORE.

				公差		 Ningbo a Genesis Electro-Mechanical Company		TITLE: CONNECTOR, BRACKET/F-CONNECTOR					
				线性	ANGLES			PART NO.	N0170000790				
				X. ± 0.25	X° ±	APPD:	MAT'L:			DWG NO.	Gti09-60229		
				.X ± 0.25	.X° ±	CHKD:	FINISH:			 UNITS SCALE SHEET REV MM 4:1 1 OF 1 1			
[1]		Eva 02/18/09'		.XX ± 0.25	.XX° ±	DRWN:	Q'TY:						
REV	ECN NO.	NAME	DATE	.XXX ± 0.25	.XXX° ±								