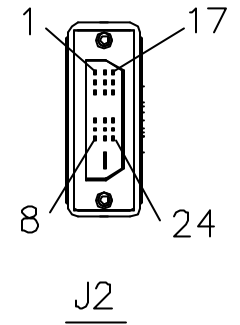
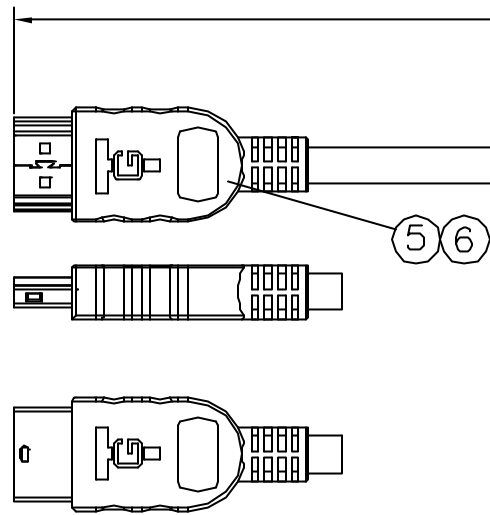
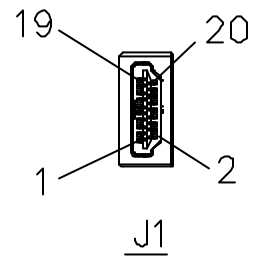
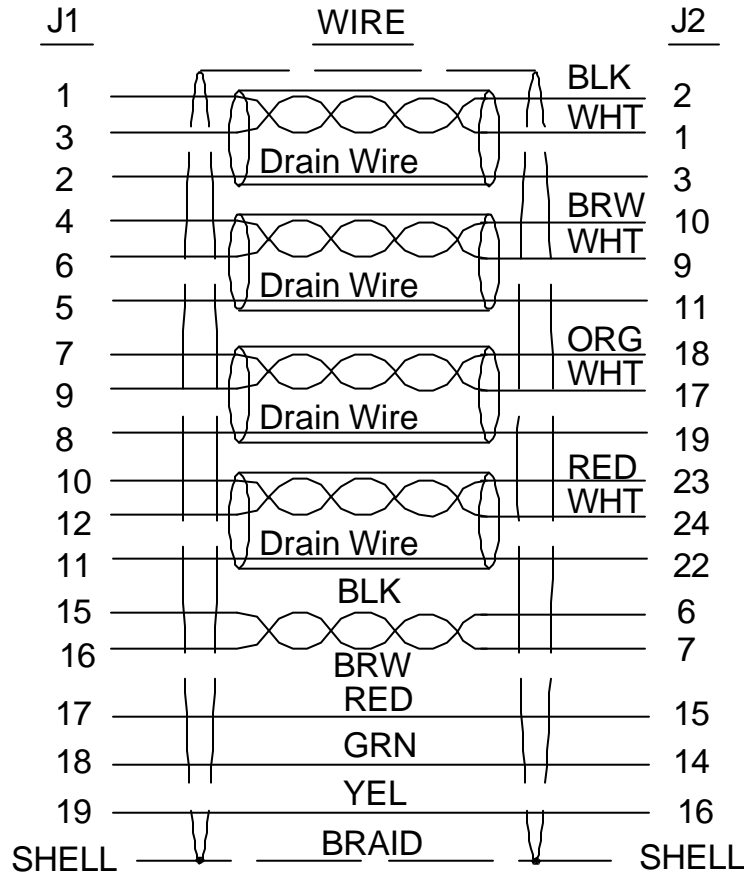


X ( See Notes 9 for Specifying Length)



WIRE DIAGRAM



ELECTRONIC TEST:

- 100% OPEN & SHORT TEST.
- CONNECTION RESISTANCE : 1 Ohm(max.)
- INSULATION RESISTANCE : 20M Ohm/DC300V/10ms(min.)
- HI-POT : AC 100V/3sec(min.)
- DIFFERENTIAL MODE IMPEDANCE : 100±10 Ohms@TDR
- SIGNALS CROSSTALK(FEXT) : 5% (MAX.)
- SIGNALS INTRA-PAIR SKEW : 150 ps (Max.)
- RoHS COMPLIANT.
- Specify Length as Suffix on Part Number in mm.  
For Example:  
HDMI-10261-1800 = 1800mm Long HDMI Cable.

| 6   | HDMI OVER-MOLD | PVC, COLOR:PMS 3015   |
|-----|----------------|---|
| 5   | HDMI PLUG      | 19P PLUG CONNECTOR  |
| 4   | THUMB SCREW    | #4-40 UNC COLOR: PMS 3015   |
| 3   | DVI OVER-MOLD  | PVC, COLOR:PMS 3015   |
| 2   | DVI-D PLUG     | DVI-DIGITAL PLUG CONNECTOR  |
| 1   | CABLE          | UL20276 (#30x1P+AE+OP)x4+#30x1P+#30x5C+AB<br>OD: 6.0MM, COLOR: GRAY |
| NO. | ITEM           | DESCRIPTION   |

| TOLERANCE |        |
|-----------|--------|
| LINEAR    | ANGLES |
| X.±       | X'±    |
| .X±0.25   | .X'±   |
| .XX±0.15  | .XX'±  |
| .XXX±0.05 | .XXX'± |



TITLE: HDMI TO DVI-D CABLE ASSY

PART NO. HDMI-10261-X

DWG NO. SC-10261

|         |      |         |           |         |       |       |       |     |
|---------|------|---------|-----------|---------|-------|-------|-------|-----|
| ISSUED  | AXL  | 1/3/07' | CHKD:     | FINISH: | UNITS | SCALE | SHEET | REV |
| ECN NO. | NAME | DATE    | DRWN: AXL | Q'TY:   |       |       |       |     |