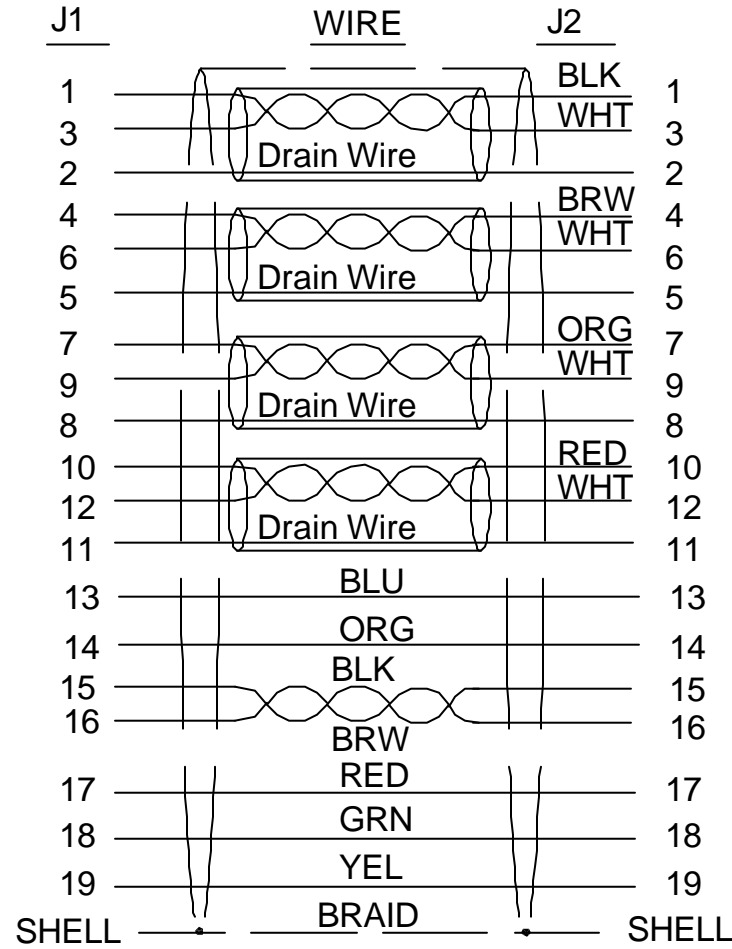


X (See Notes 9 for Specifying Length)

WIRE DIAGRAM



ELECTRONIC TEST:

1. 100% OPEN & SHORT TEST.
2. CONNECTION RESISTANCE : 1 Ohm(max.)
3. INSULATION RESISTANCE : 20M Ohm/DC300V/10ms(min.)
4. HI-POT : AC 100V/3sec(min.)
5. DIFFERENTIAL MODE IMPEDANCE : 100±10 Ohms@TDR
6. SIGNALS CROSSTALK(FEXT) : 5% (MAX.)
7. SIGNALS INTRA-PAIR SKEW : 150 ps (Max.)
8. RoHS COMPLIANT.
9. Specify Length as Suffix on Part Number in mm.

For Example:

HDMI-10262-1800 = 1800mm Long HDMI Cable.

3	HDMI OVER-MOLD	PVC, COLOR:PMS 3015
2	HDMI PLUG	19P PLUG CONNECTOR
1	CABLE	UL20276 (#30x1P+AE+OP)x4+#30x1P+#30x5C+AB OD: 6.0MM, COLOR: GRAY
NO.	ITEM	DESCRIPTION

TOLERANCE		 <small>1015 GRANT STREET S.E. ATLANTA, GA 30315</small>	TITLE: HDMI TO HDMI CABLE ASSY				
LINEAR	ANGLES		PART NO. HDMI-10262-X				
X.±	X°.±		DWG NO. SC-10262				
.X±0.25	.X°±	APPD:	MAT'L:	UNITS			
.XX±0.15	.XX°±	CHKD:	FINISH:	MM	SCALE	SHEET	REV
.XXX±0.05	.XXX°±	DRWN: AXL	Q'TY:	MM	NONE	1 OF 1	A

[A]	ISSUED	AXL	1/3/07'
REV	ECN NO.	NAME	DATE