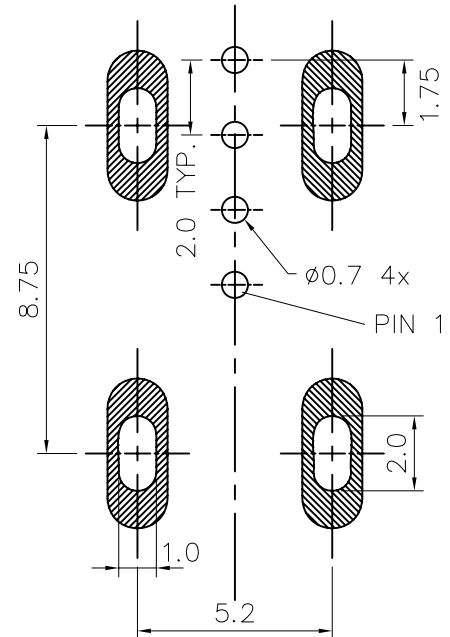
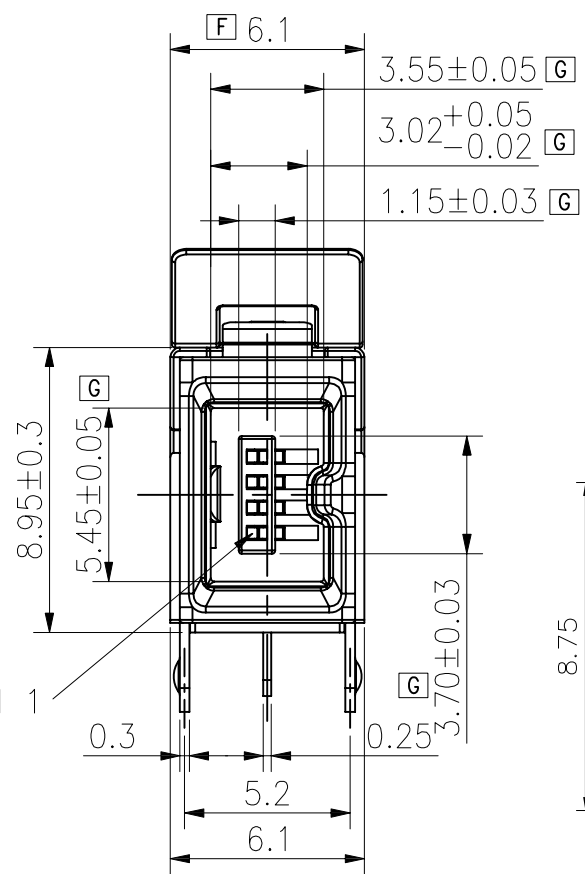
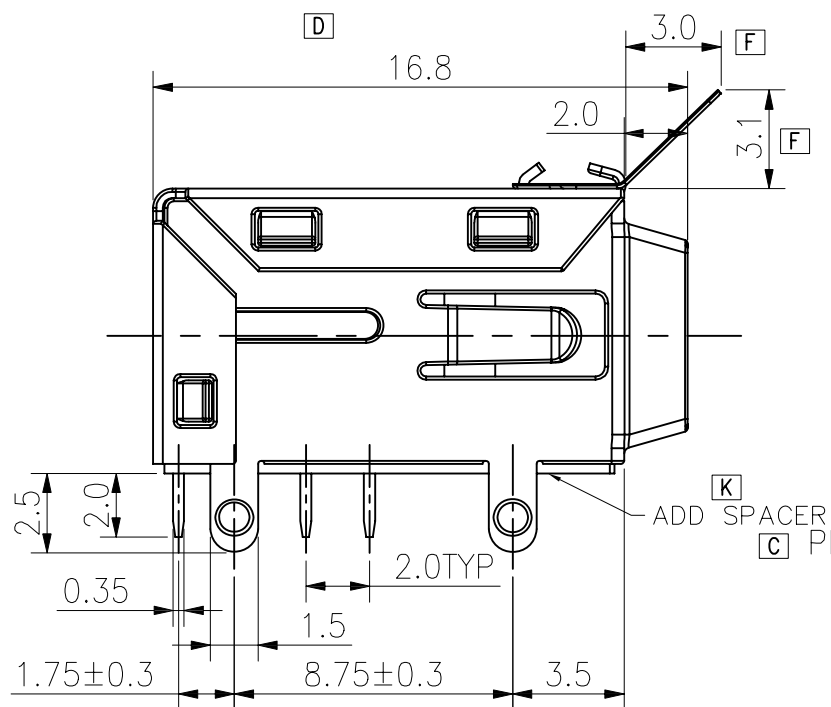


TOUCH FINGER  
OPTIONAL SEE ORDER INFORMATION [I]



**RECOMMENDED P.C.B HOLE LAYOUT**  
**COMPONENT SIDE VIEW (TOLERANCE: ±0.05)**

[K]	REMOVE TAPE ADD SPACER	VEGAS	8/20/08'
[J]	ADD TAPE MATERIAL	VEGAS	5/8/08'
[I]	ADD OPTION FOR TOUCH FINGER AND CHANGE PLATING	AXL	4/22/08'
[H]	ADD TAPE	VEGAS	4/15/08'
[G]	CORRECT TOLERANCE	VEGAS	3/24/08'
[F]	ADD TOUCH FINGER	VEGAS	1/4/08'
[E]	ADD NOTES AND SHEET 2	AXL	9/7/07'
[D]	ADD LOGO	AXL	4/21/06'
[C]	SPECIFY PIN 1	AXL	4/21/06'
[B]	UPDATED DRAWING	AXL	4/10/06'
[A]	ISSUED	AXL	3/27/06'
REV	ECN NO.	NAME	DATE

TOLERANCE	
LINEAR	ANGLES
X.±	X'.±
.X±0.30	.X'±
.XX±0.15	.XX'±
.XXX±0.10	.XXX'±

**GENESIS**  
TECHNOLOGY, INC  
a Genesis Electro-Mechanical Company

1015 GRANT STREET S.E.  
ATLANTA, GA 30315

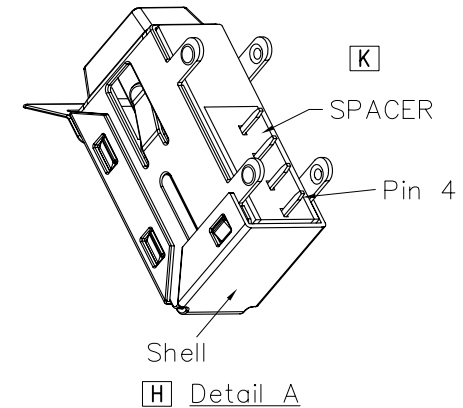
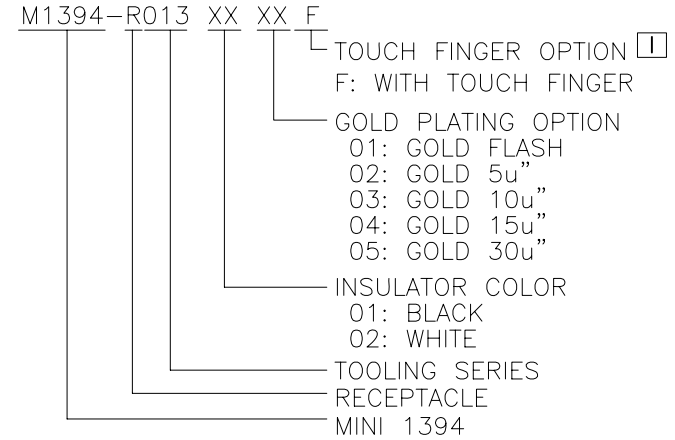
TITLE:		1394 4P FLAG R/A DIP TYPE WITH FINGER			
PART NO.		M1394-R013XXXXF			
DWG NO.		SC-10282			
UNITS	SCALE	SHEET	REV		
				MM	NONE

APPD:	MAT'L:
CHKD:	FINISH:
DRWN: AXL	Q'TY:

**E** Notes:

1. Electrical:
  - a. Voltage Rating: 125VDC/AC(r.m.s)
  - b. Current Rating: 0.5Amperes.
  - c. Insulation Resistance: 1000M ohms min.
  - d. Dielectric Withstand Voltage: 1394 AC 500V/1 min.
  - e. Contact Resistance: 50 m ohms max initial.
2. Mechanical:
  - a. Material:
    - Contacts: Phosphor Bronze.
    - K** Housing&Spacer/Flammability Rating: LCP+30%G/F,UL94V-0
    - Shell: Brass.
    - F** Touch Finger: SUS
  - b. Plating:
    - Contacts: Gold plated Optional.
    - I** 80u" TIN MIN. Plated at solder side, 50u" nickel underplated overall.
    - Shell: 120u" Matted Tin over 50u" Nickel.
    - F** Touch Finger: None-Plating
    - c. Durability:1394 1,000 Cycles.
    - d. Mating force: 1394 39.2N Max.
    - Unmating force: 1394 4.9N Min.
    - e. Coplanarity of SMT Leads: Not Applicable.
    - f. Solderability: More than 95% of solderable area shall be covered with solder after 5~10 seconds flux(No clean flux)deep.
    - g. Soldering Profile: 260°C±5°C for 5 seconds without remarkable deterioration.
3. Environmental:
  - a. Operating/Storage Temperature: -40°C to +85°C.
  - b. High Temperature Life: A temperature of 60±5°C for 96hours;
  - c. Cold Temperature Life: A temperature of -40±5°C for 96hours;
  - d. Salt Spray test shall be tested per ASTM 117 for 48 hours.
  - e. Temperature Cycling: 10 cycles of -55±5°C to 85±5°C
  - f. Steady State Humidity: 90%~95% humidity on 40±3°C for 96hours.
  - g. Thermal Shock: 10 cycles of -55±5°C to 85±5°C
  - h. Vibration: No discontinuities of 1us of longer duration when mated  
1394 conn. are subjected to 5.35Gs RMS. 15min. in each of three mutually perpendicular planes.
  - i. Resistance to Soldering Heat: Can resistance 230°C±5°C for 60±3 seconds
  - j. After enviromental test, connector contact resistance should not increase to 60m ohms max. and meet IR and DWV as initial.
4. Compliance:
  - a. Standard: 1394-2000 testing criteria compliant.
  - b. RoHS Compliant.

Order Information:



**E**

PART NO.	M1394-R013XXXXF	SHEET	REV
DWG NO.	SC-10282	2 OF 2	SEE SHEET 1