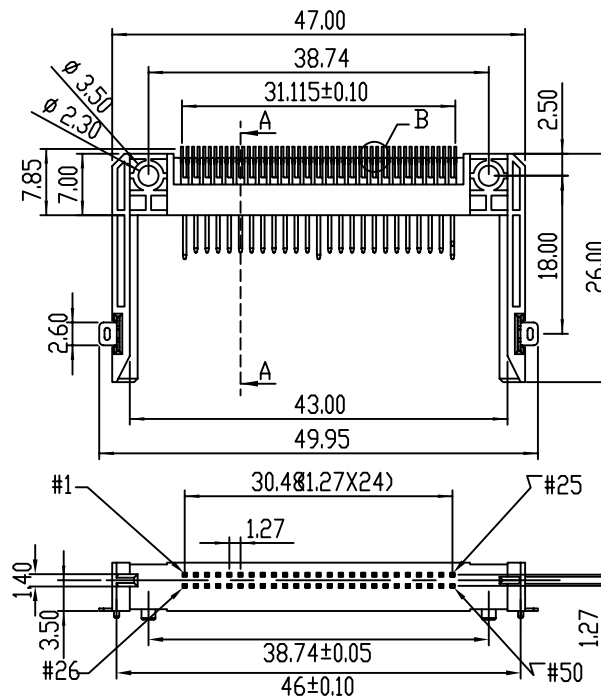
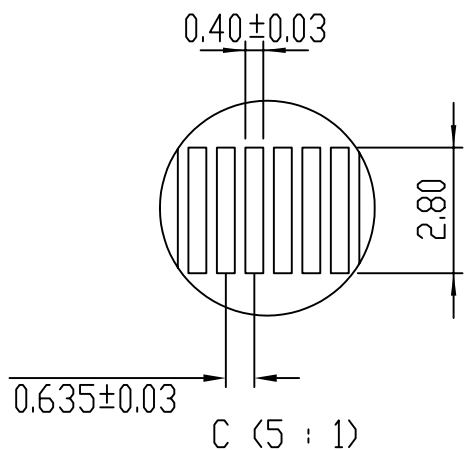


PCB LAYOUT : COMPONENT SIDE



B (8 : 1)

NOTE:

- SOLDERTAIL TO BE WITHIN 0.05 UPWARD AND 0.2 DOWNWARD FROM Z-DATUM PLACE, AND COPLANALITY OF SOLDERTAILS TO BE WITHIN 0.12. MEASUREMENT POINT IS SOLDERTAILS TIP.
- INSPECTION SYMBOL:
: MANUFACTURER INSPECTION
: Q.C INSPECTION
- PLEASE REFER TO TABLE 1 FOR TERMINAL LENGTH.

TABLE 1

DIM. L ±0.20	PIN NUMBER
3.50 mm	25 , 26
4.25 mm	THE REST
5.00 mm	1, 13, 38, 50

RoHs Compliant

TOLERANCE	
LINEAR	ANGLES
X. ± 0.30	X° ±
.X ± 0.20	.X° ±
.XX ± 0.10	.XX° ±
.XXX ±	.XXX° ±



TITLE: CF CARD CONNECTOR

PART NO. MCCF-1B01SX

DWG NO. GTI08-30183

[A]	ISSUED	SWL	5/12/08
REV	ECN NO.	NAME	DATE

APPD:	MAT'L:
CHKD:	FINISH:
DRWN: AXL	Q'TY:

UNITS	SCALE	SHEET	REV
MM	NONE	1 OF 2	A

[Symbol]	[Symbol]	[Symbol]	[Symbol]
----------	----------	----------	----------

1 2 3 4 5 6 7 8

A

A

B

B

C

C

D

D

E

E

Ordering Information:

MC CF- 1 A XX SX

Gold Plating: (Selective plating)

S1 = Gold Flash

S2 = 5u"

S3 = 10u"

S4 = 15u"

S5 = 30u"

S6 = 50u"

S7 = Special Plating Request by Customer

Tooling Family

Type

1 = Type I + II

Memory Card Name

CF = Compact Flash

Memory Card Series

PART NO.	MCCF-1B01SX	SHEET	REV
DWG NO.	GTI08-30183	2 OF 2	SEE SHEET 1

1 2 3 4 5 6 7 8