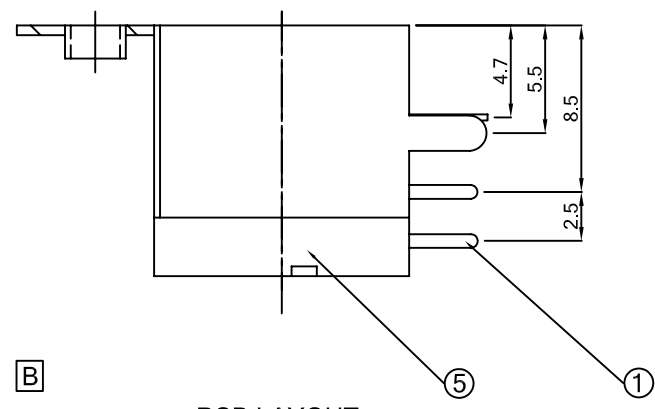
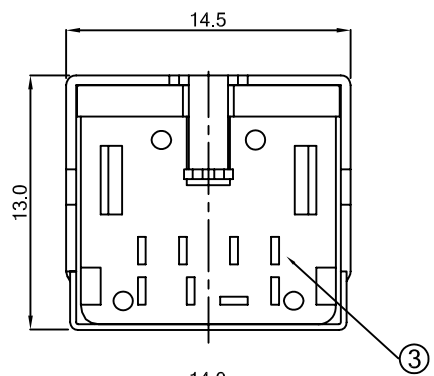
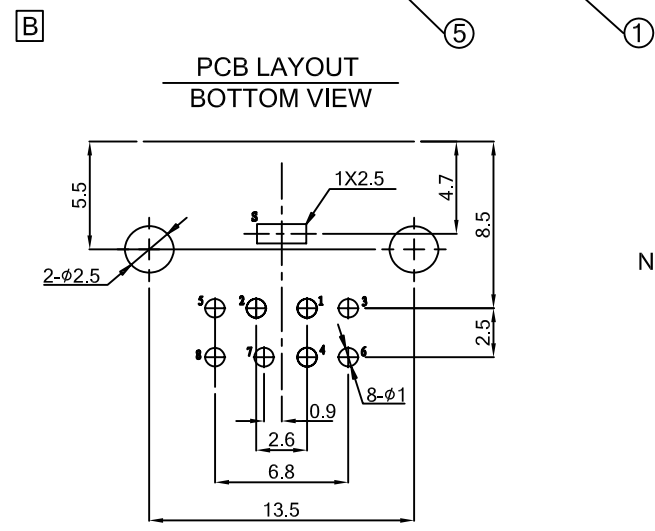
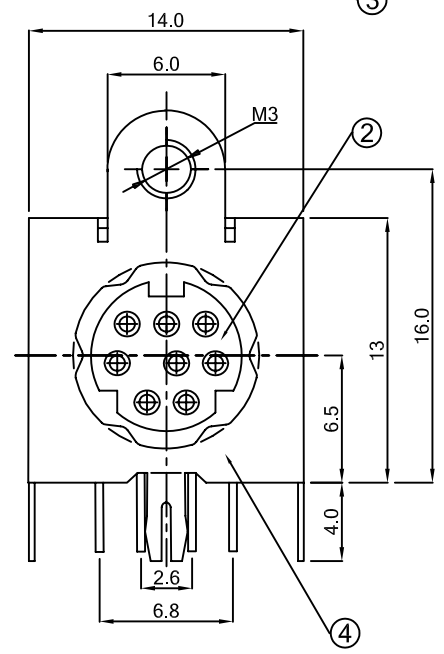
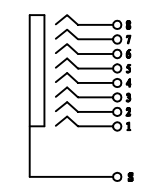


REV.	ECN. NO.	DESCRIPTION	ENG	DATE
A		ISSUED	BOLIN	6/29/06'
B		UPDATED DRAWING	FOX	7/26/10'



**SCHEMATIC**



**NOTES:**

1. 260° C / 5 SECONDS MIN WITHOUT DEGRADATION.
2. VOLTAGE RATING: DC 12V / AC 100V
3. CURRENT RATING: DC 2A / AC 1A

NO. OF PINS	3 PINS	4 PINS	5 PINS	6 PINS	7 PINS	8 PINS
NON - THREAD	MD401-3-N	MD401-4-N	MD401-5-N	MD401-6-N	MD401-7-N	MD401-8-N
THREAD	MD401-3-Y	MD401-4-Y	MD401-5-Y	MD401-6-Y	MD401-7-Y	MD401-8-Y

RoHS 6/6 Compliant

ITEM	NAME	QTY	MATERIAL	PLATING
5	REAR COVER	1	H62Y, BRASS	CuSn 1umMIN
4	SHIELD	1	H62Y, BRASS	CuSn 1um MIN
3	COVER	1	PBT + 15% GF UL94V-0	BLACK
2	BODY	1	PBT + 15% GF, UL94V-0	BLACK
1	CONTACT	8	Q Sn6.5-0.1y, PHOSPHOR BRONZE t=0.4	TIN 1 um MIN.

GENERAL TOLERANCE X.± <6±0.2 6<20±0.3 >20± 0.4	ANGLE TOLERANCE X°± .X°± .XX°± .XXX°±	DRAWN BOLIN	DATE 6/29/06'	
MATERIAL SEE BOM		DESIGN	DATE	
FINISH SEE NOTES		CHECKED	DATE	PART NUMBER: MD401-XX
SCALE N/A	UNIT mm	APPROVED	DATE	DRAWING NO. SC-10016
SHEET 1 OF 1				SIZE A4 REV B

1 2 3 4 5 6 7 8

A B C D E