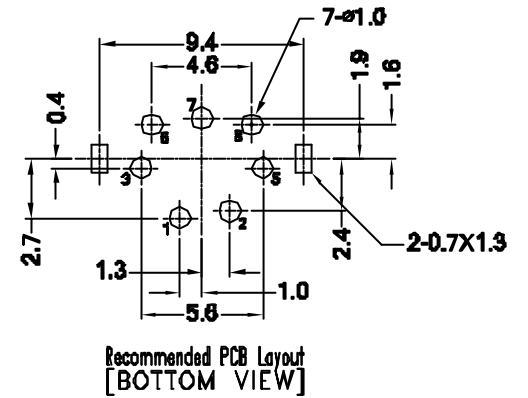
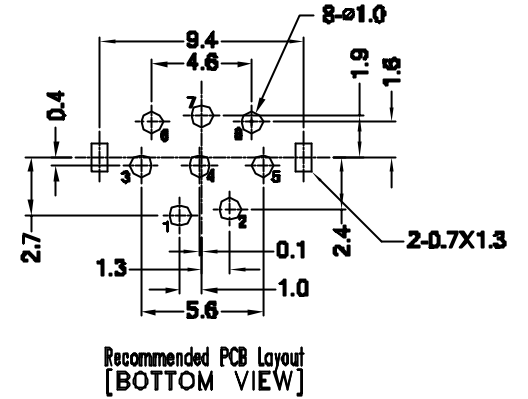
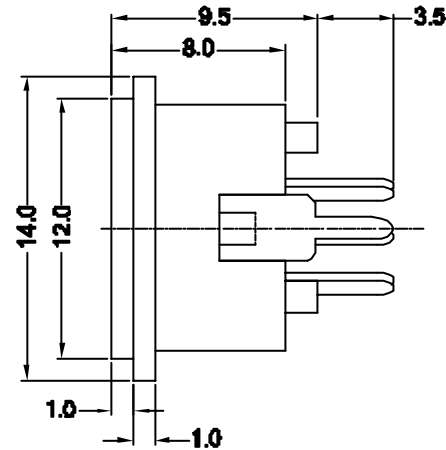
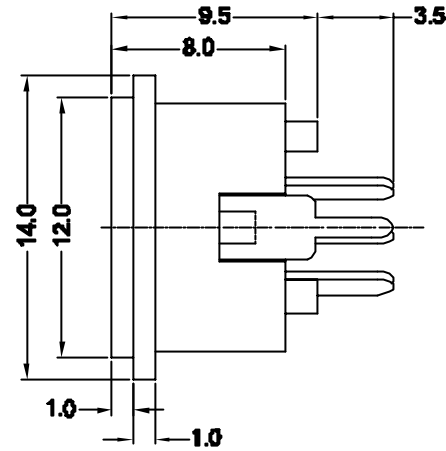
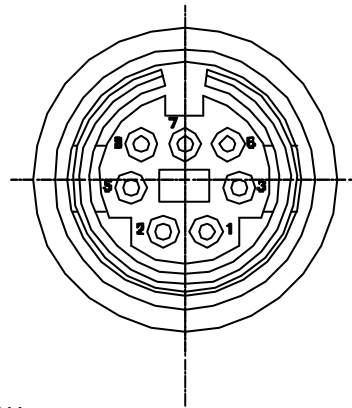
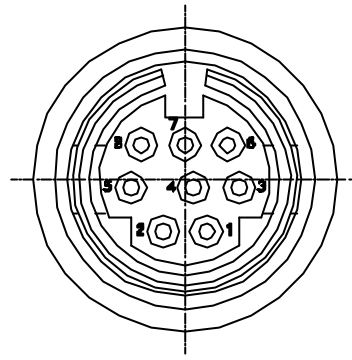


ORDER INFORMATION:

MD412-X

NO. OF POSITION
3 TO 8 POSITIONS
TOOLING SERIES



NOTES:

1. CURRENT CARRYING CAPACITY:
A. AC: 100V 1A MAX.
B. DC: 12V 2A MAX.
2. CONTACT RESISTANCE: 30milliohms MAX.
3. INSULATION RESISTANCE: 50 megaohms MIN. AT DC 250V.
4. VOLTAGE WITHSTANCE: AC 250V 1 MINUTE.
5. INSERTION FORCE: 1KG - 4.5KG.
6. WITHDRAWAL FORCE: 0.8KG - 3KG.
7. RoHS COMPLIANT.

3	GROUND	BSR	Tin	1	0.4 t
2	CONTACT	PBR	Silver	3-8	0.2 t
1	HOUSING	PBT		1	UL94V-0
NO.	NAME	MATERIAL	FINISH	Q'TY	NOTE

TOLERANCE	
LINEAR	ANGLES
X.±	X°±

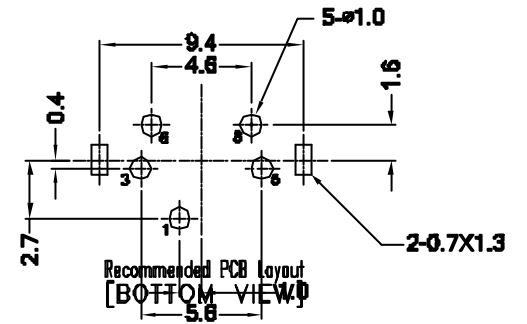
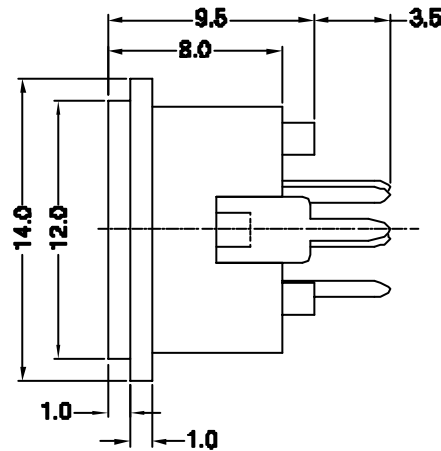
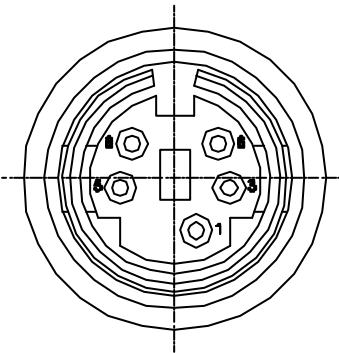
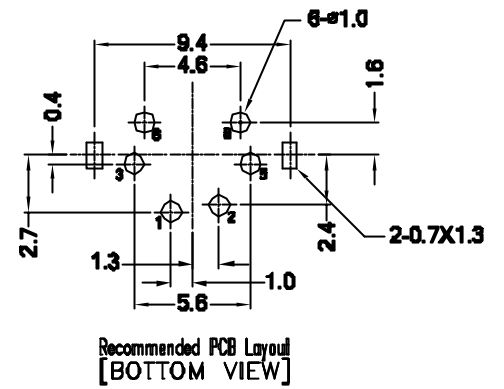
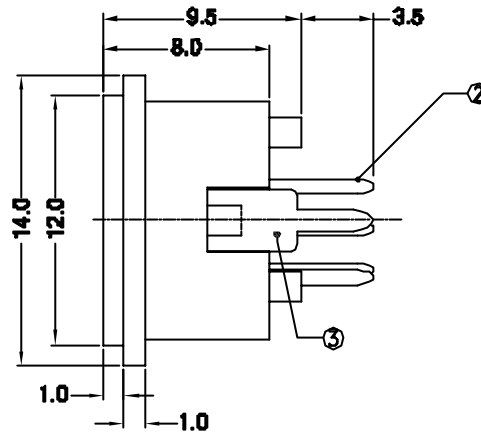
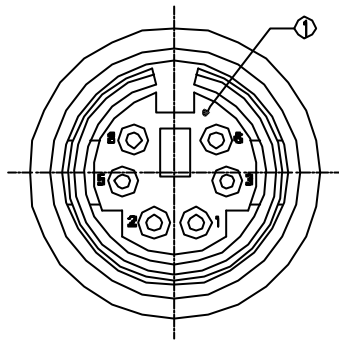


TITLE:
MINI DIN 6P SOCKET VERTICAL

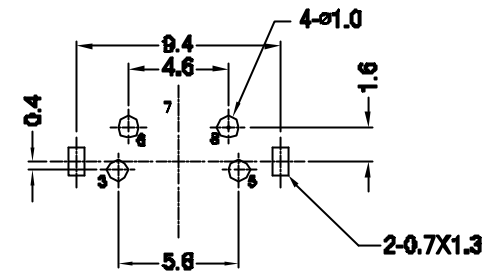
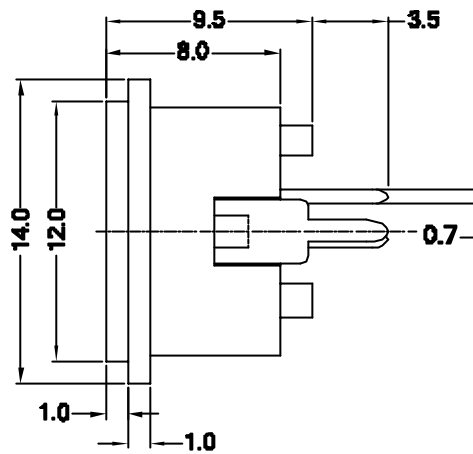
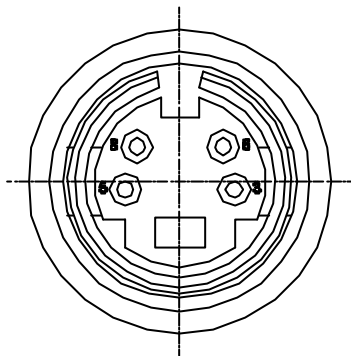
PART NO. MD412-X

DWG NO. SC-10326

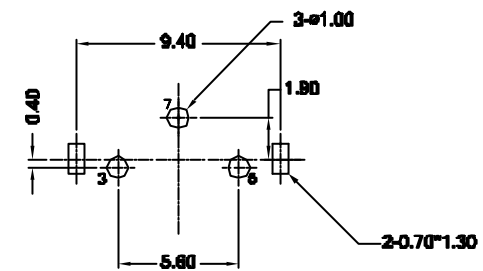
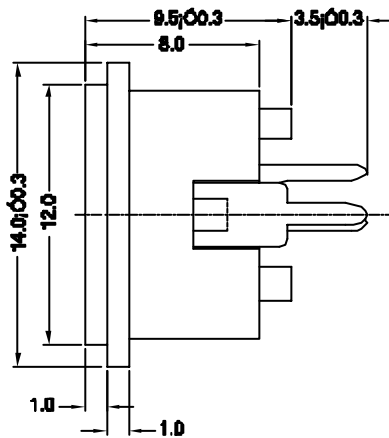
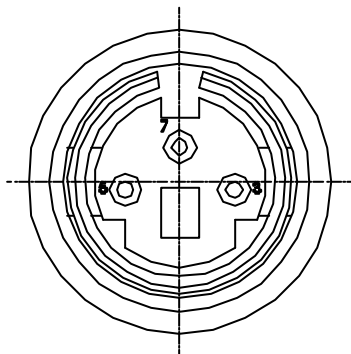
[B]	ADD SHEET 2 AND 3	AXL	9/28/06'	.X±0.25	.X°±	APPD:	MAT'L:	UNITS	SCALE	SHEET	REV
[A]	ISSUED	AXL	7/7/06'	.XX±0.15	.XX°±	CHKD:	FINISH:				
REV	ECN NO.	NAME	DATE	.XXX±0.05	.XXX°±	DRWN:AXL	Q'TY:	MM	NONE	1 OF 3	B



SHEET	REV
2 OF 3	SEE SHEET 1



Recommended PCB Layout
[BOTTOM VIEW]



Recommended PCB Layout
[BOTTOM VIEW]

[B]

SHEET	REV
3 OF 3	SEE SHEET 1