

REV.	ECN. NO.	DESCRIPTION	ENG	DATE
X1		INITIAL	Vegas	12/06/11'

NOTES:

\*Material

Body: LCP UL94V-0 +50%G.F Color:Black.  
 Insert(Molding): LCP UL94V-0 +30%G.F Color:Black.  
 Retainer: LCP UL94V-0 +50%G.F Color:Black.  
 Contact: C7025;  
 Plating: Gold plating over Nickel(40u" Min)  
 on contact area,Tin(100u" Min)  
 Plating on Solder Tail.  
 Shell: Brass;  
 Plating: Nickle(40u" Min) Plating.

\*Mechanical

Insertion Force: 4.5Kg Max  
 Withdrawal Force: 1.0~4.0Kg Min  
 Durability: 10000 Cycles

\*Electrical Specification

Current Rating: 0.5 Ampere per contact  
 Contact Resistance: 30 mΩ max.  
 Insulation Resistance: 100MΩ Min  
 Dielectric Withstanding Voltage: 500V AC Min

\*Environmental

Operating Temperature: -40°c to +85°c.

ORDER INFORMATION

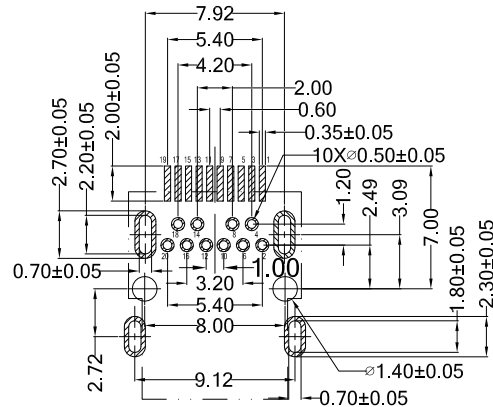
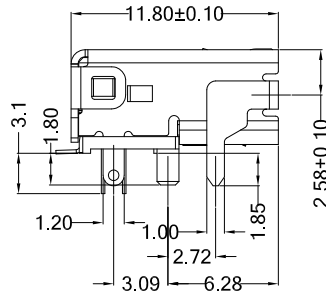
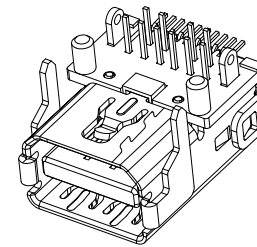
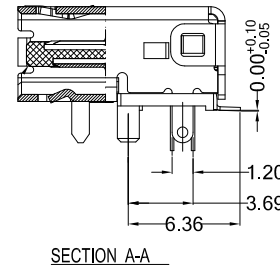
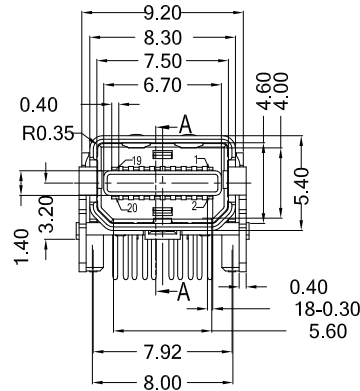
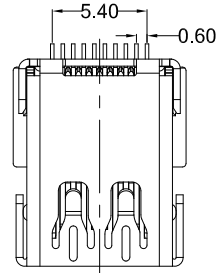
MDPR - 22 20 - B K 6 3 U 1F

① ② ③ ④ ⑤ ⑥ ⑦ ⑧

- CONNECTOR:  
MDPR: MINI DISPLAYPORT R/A CONNECTOR
- TYPE:  
22: RECEPTACLE, DIP 3.1+SMT
- POSITIONS:  
20: 20 POSITIONS
- INSULATOR MATERIAL:  
B: LCP
- INSULATOR COLOR:  
K: BLACK
- CONTACT PLATING:  
6: GOLD 30u"
- SHIELD PLATING:  
3: NICKEL PLATING
- PACKING  
U: TUBE PACKING

RoHS Compliant

Top Row			Bottom Row		
Pin Number	Signal Type	Pin Name	Pin Number	Signal Type	Pin Name
1	GND	GND	2	In	HotPlug Detect
3	Out	ML_Lane 0(p)	4	CONFIG	CONFIG1
5	Out	ML_Lane 0(n)	6	CONFIG	CONFIG2
7	GND	GND	8	GND	GND
9	Out	ML_Lane 1(p)	10	Out	ML_Lane 3(p)
11	Out	ML_Lane 1(n)	12	Out	ML_Lane 3(n)
13	GND	GND	14	GND	GND
15	Out	ML_Lane 2(p)	16	I/O	AUX_CH(p)
17	Out	ML_Lane 2(n)	18	I/O	AUX_CH(n)
19	GND	GND	20	PWR Out	DP_PWR



P.C.B Layout  
Component side

GENERAL TOLERANCE		ANGLE TOLERANCE		DRAWN	DATE	PRELIMINARY NOT RELEASED	
X.±		X°± 3°		Vegas	12/06/11'	genesis connected solutions	
.X± 0.38		.X°± 3°		DESIGN	DATE	TITLE. MINI DISPLAYPORT RECEPTACLE DIP+SMT	
.XX± 0.25		.XX°± 3°		CHECKED	DATE	PART NUMBER. MDPR-2220-BK63U1F	
.XXX± 0.20		.XXX°± 3°		APPROVED	DATE	DRAWING NO. GT14-250131	
MATL SEE BOM		UNIT mm		SHEET 1 OF 1		SIZE A4 REV. X1	

ITEM	NAME	Q'TY	DESCRIPTION	MATERIAL	FINISH / COLOR	NOTE
1						
2						
3						
4						
5						