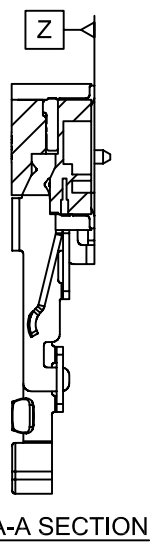
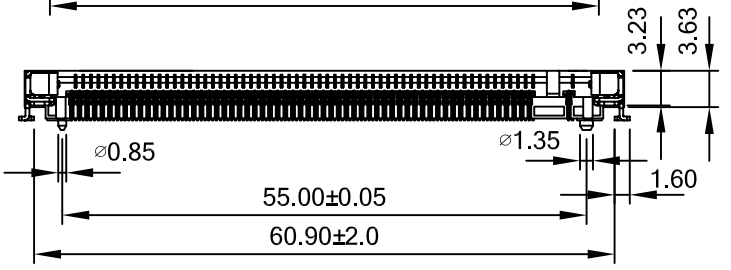
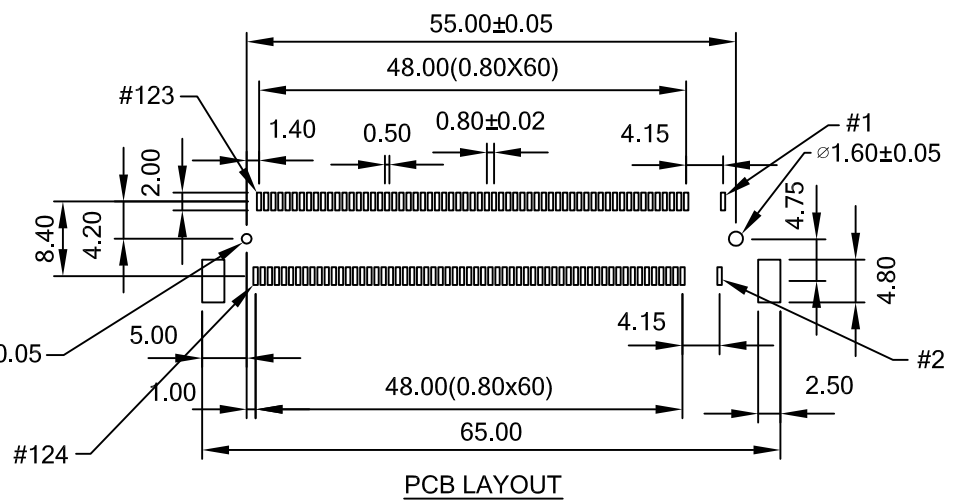
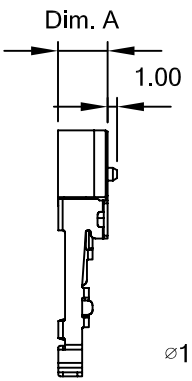
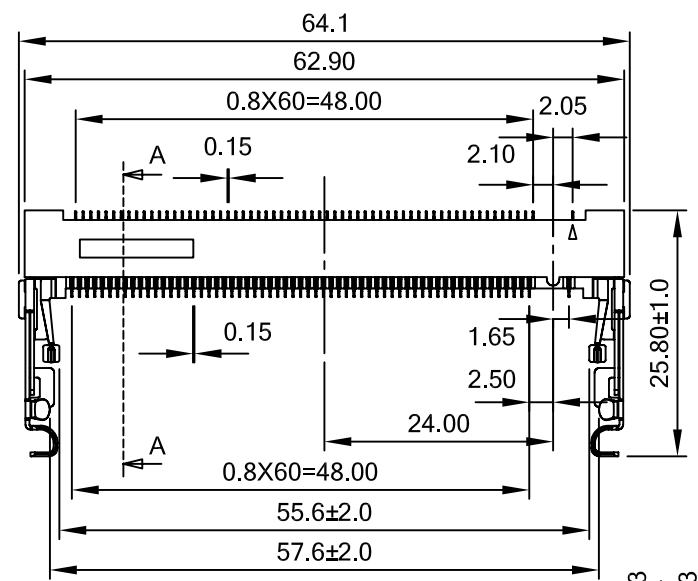
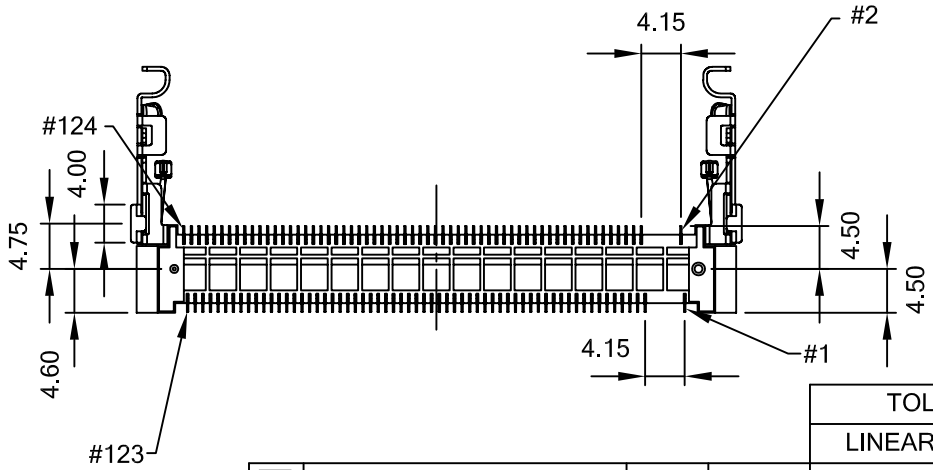



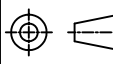
1 2 3 4 5 6 7 8

A B C D E

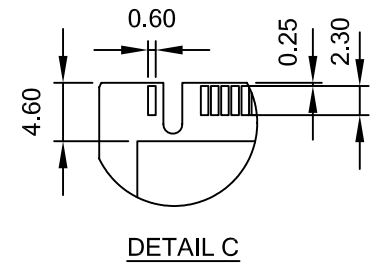
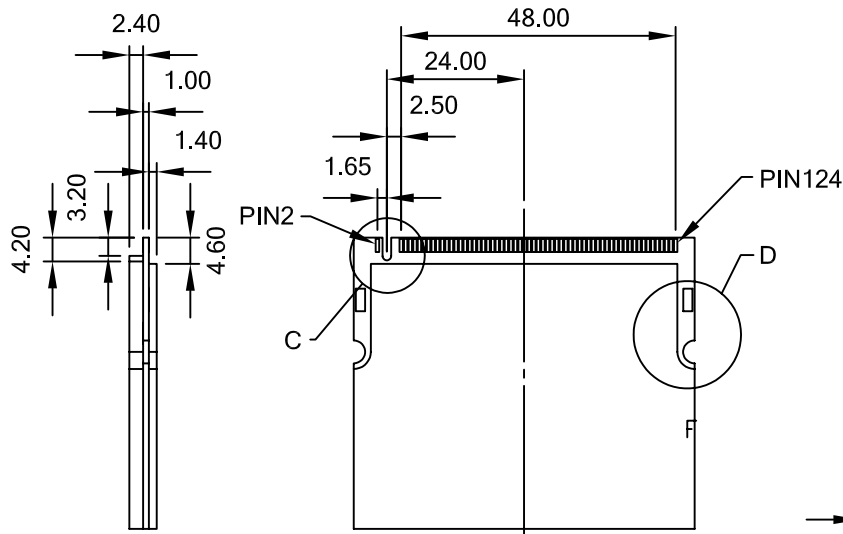
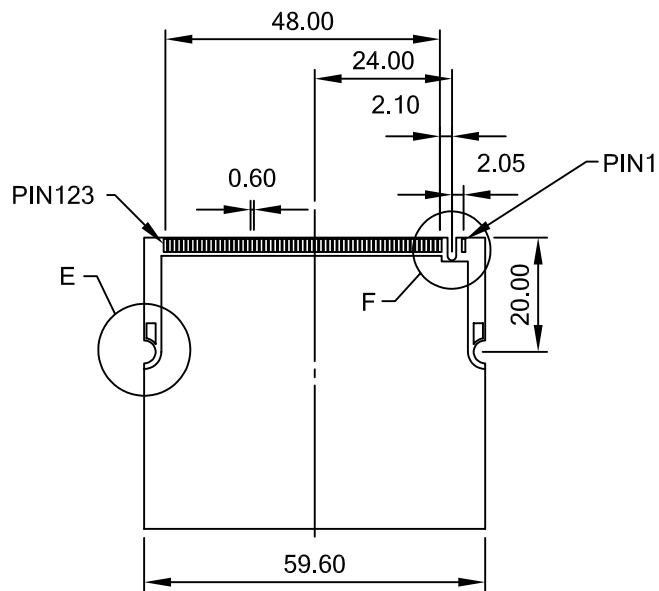


NOTES:
 1. SOLDERTAIL TO BE WITHIN 0.05 UPWARD AND 0.2 DOWNWARD FROM Z-DATUM PLACE, AND COPLANALITY OF SOLDERTAILS TO BE WITHIN 0.12. MEASUREMENT POINT IS SOLDERDATILS TIP.
 2. RoHS COMPLIANT.



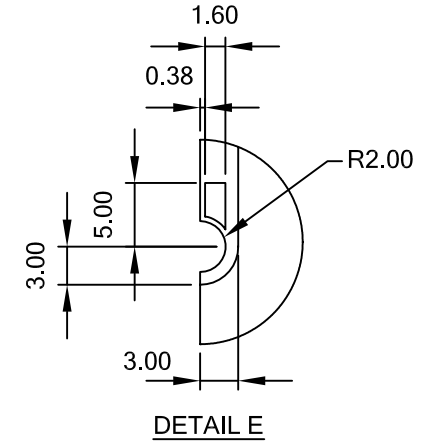
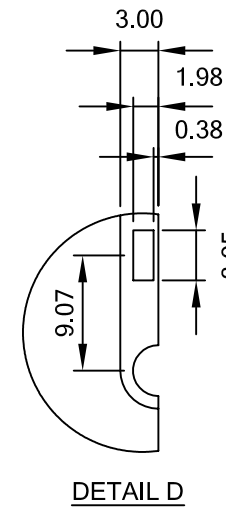
				TOLERANCE		 <small>1015 GRANT STREET S.E. ATLANTA, GA 30315</small> a Genesis Electro-Mechanical Company		TITLE: Mini PCI Socket Pitch 0.8mm 124 Positions					
				LINEAR	ANGLES			PART NO.	MPIR-2X1A-BKX0X1				
[C]	ADD PART NUMBER	AXL	3/2/09'	X. ± 0.30	X° ± 2.00°	APPD:	MAT'L:			DWG NO.	SC-10393		
[B]	CHANGE PART NUMBER	Vegas	11/5/08'	.X ± 0.20	.X° ± 1.00°	CHKD:	FINISH:			 UNITS MM	SCALE NONE	SHEET 1 OF 2	REV C
[A]	ISSUED	AXL	7/12/06'	.XX ± 0.10	.XX° ± 0.50°	DRWN: AXL	Q'TY:						
REV	ECN NO.	NAME	DATE	.XXX ± 0.05	.XXX° ±								

1 2 3 4 5 6 7 8



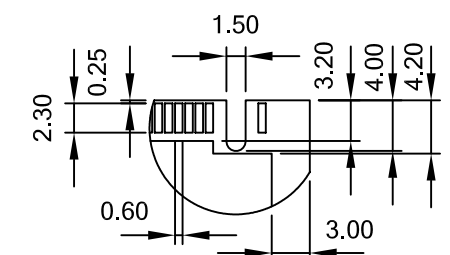
B MPIR- 2X 1A - B K X 0 X 1
C ① ② ③ ④ ⑤ ⑥ ⑦ ⑧

1. CONNECTOR:
MPIR: MINI PCI R/A CONNECTOR
2. TYPE (Dim. A Height):
 20: 8.0mm, FEMALE, SMT
 21: 9.2mm, FEMALE, SMT
 22: 6.0mm, FEMALE, SMT
 23: 5.6mm, FEMALE, SMT
 24: 5.2mm, FEMALE, SMT
 25: 4.0mm, FEMALE, SMT
3. POSITIONS
1A: 124 POSTIONS
4. INSULATOR MATERIAL
B: LCP
5. INSULATOR COLOR
K: BLACK
6. CONTACT PLATING
1: GOLD FLASH
5: GOLD 15 u"
6: GOLD 30 u"
7. SHIELD PLATING
0: NONE SHIELD
8. SHIPPING PACKAGE
T: TRAY PACKING
R: TAPE REEL PACKING

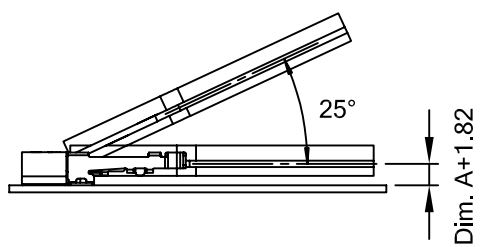
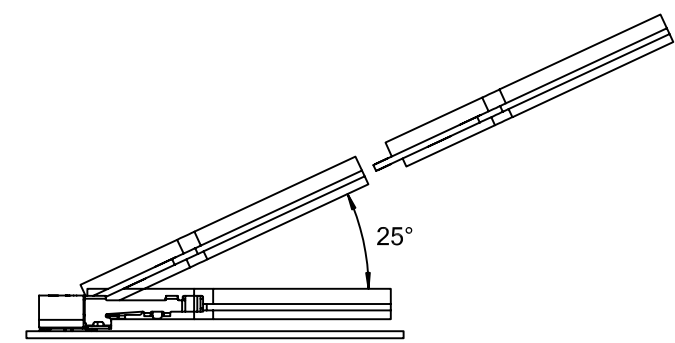


DETAIL D

DETAIL E



DETAIL F



PART NO.	MPIR-2X1A-BKX0X1	SHEET	REVISION
DWG NO.	SC-10393	2 OF 2	SEE SHEET 1