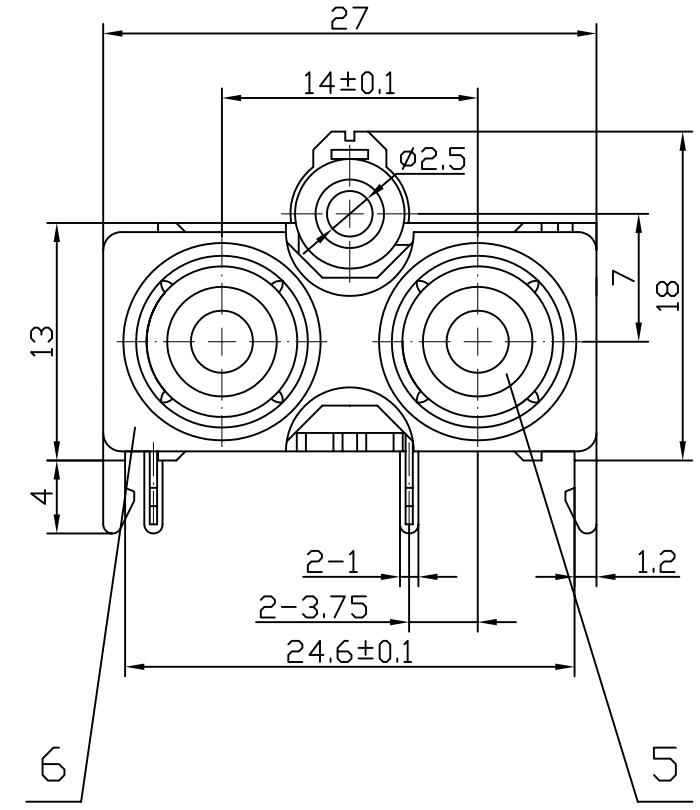
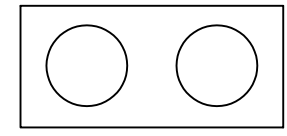


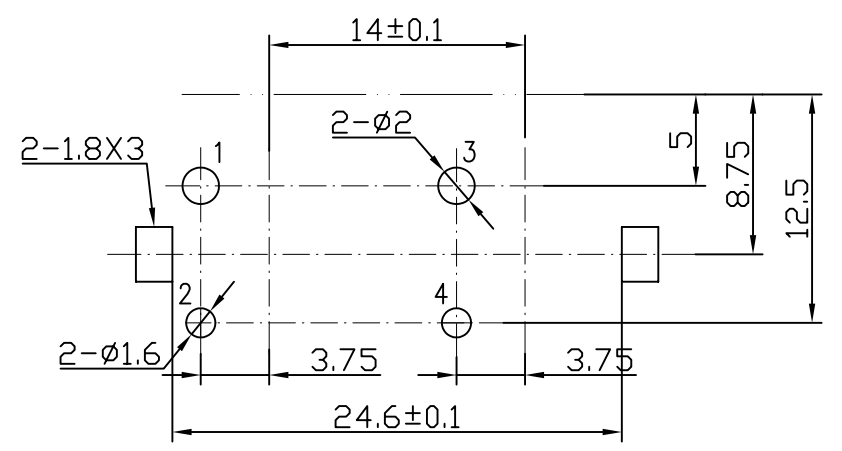
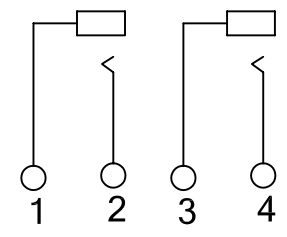
Dimensions of PC board holes(Commend)
(Bottom View)



Color layout



Circuit Diagram



PCB LAYOUT

6	Shield Patch	1	H62 Brass t=0.3	D.CuSn
5	Washer	2	ABS, UL94V-0	————
4	Pincer Needle	2	QSn6.5-0.1 t=0.4	D.CuSn
3	Base	1	ABS, UL94V-0	————
2	Cover	1	ABS, UL94V-0	————
1	Outer Conductor	2	H65 Brass t=0.4	D.CuSn
No:	Name	QTY	Material	Coat Cladding Material

TOLERANCE	
LINEAR	ANGLES
X. ±	X° ±
.X ± 0.25	.X° ±
.XX ± 0.15	.XX° ±
.XXX ± 0.05	.XXX° ±

GENESIS
TECHNOLOGY, INC
1015 GRANT STREET S.E.
ATLANTA, GA 30315
a Genesis Electro-Mechanical Company

TITLE:	1 x 2 PORTS RCA PIN JACK			
PART NO.	PJ1412-X			
DWG NO.	SC-10621			
	UNITS	SCALE	SHEET	REV
	MM	NONE	1 OF 1	B

[B]	ADD RoHS COMPLIANT	AXL	3/12/08'
[A]	ISSUED	AXL	1/23/07'
REV	ECN NO.	NAME	DATE

APPD:	MAT'L:
CHKD:	FINISH:
DRWN: AXL	Q'TY: