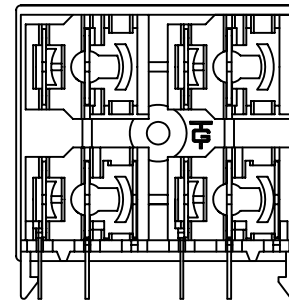
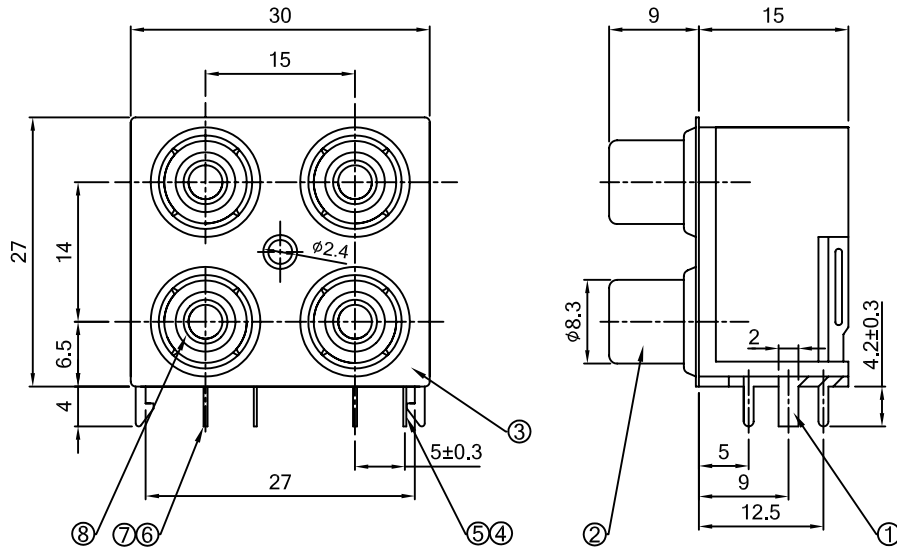


ORDERING INFORMATION
PJ1522 - X

COLOR LAYOUT

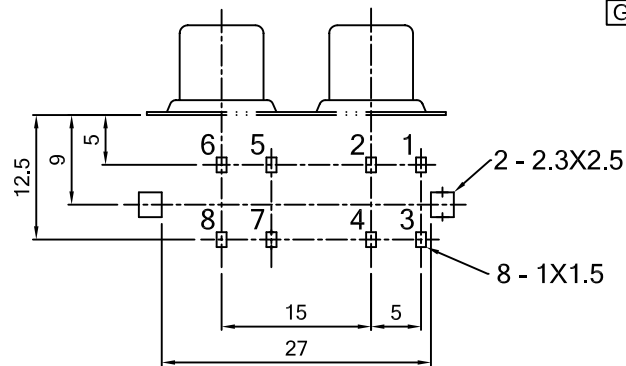
COLOR CODE	COLOR
A	BK WT YL RD
B	OR WT YL RD
C	RD WT RD WT

COLOR CODE:
OR=ORANGE PANTONE 1505C
RD=RED PANTONE 032C
BK=BLACK
YL=YELLOW PANTONE 012C
WT=WHITE PANTONE 7443U
BL=BLUE PROCESS CLUE C



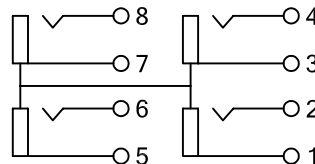
[G] NOTES:

1. RATINGS
 - a. CURRENT RATING: 1 AMP
 - b. VOLTAGE RATING: DC 12 V
2. ELECTRICAL
 - a. CONTACT RESISTANCE: $\leq 20\text{m}\Omega$ MAX.
 - b. INSULATION RESISTANCE: $\geq 100\text{M}\Omega$
 - c. DIELECTRIC WITHSTANDING VOLTAGE: AC 500 V
3. RESISTANCE TO SOLDERING HEAT: $260^\circ\text{C} \pm 5^\circ\text{C}$ FOR 5 SECONDS
4. THE UNSPECIFIED TOLERANCE IS:
 - $< 6 \pm 0.2$
 - $6 \sim 20 \pm 0.3$
 - $> 20 \pm 0.4$



RECOMMENDED P.C.B. LAYOUT
BOTTOM VIEW
LAYOUT TOLERANCE = $\pm 0.05\text{ mm}$

[C] CIRCUIT DIAGRAM



[G] [C]

NO	NAME	Q'TY	MATERIAL	PLATING
8	WASHER	4	PBT, UL94V-0	---
7	PINCER NEEDLE (M)	2	H62 BRASS $t=0.45$	CuSn
6	PINCER NEEDLE (S)	2	H62 BRASS $t=0.45$	CuSn
5	JACK NEEDLE (M)	2	H62 BRASS $t=0.35$	CuSn
4	JACK NEEDLE (S)	2	H62 BRASS $t=0.35$	CuSn
3	SHIELD PATCH	1	H62 BRASS $t=0.25$	CuSn
2	OUTER CONDUCTOR	4	H62 BRASS $t=0.4$	CuSn
1	BASE	1	PBT, UL94V-0	BLACK

[C] *RoHs 6/6 COMPLIANT*

[G]	UPDATE DRAWING CORRECTED NOTES CORRECTED BOM	FOX	8/31/11'		
[F]	UPDATE DRAWING	AXL	5/29/06'		
[E]	UPDATE DRAWING	AXL	5/25/06'	TOLERANCE	
[D]	UPDATE DRAWING	AXL	4/24/06'	LINEAR	ANGLES
[C]	CHANGE DRAWING	AXL	3/9/06'	X.±	X'.±
[B]	CHANGE COLOR	AXL	2/27/06'	.X±	.X'±
[A]	ISSUED	AXL	3/21/06'	.XX±	.XX'±
REV	ECN NO.	NAME	DATE	.XXX±	.XXX'±



TITLE:		2x2 4 PORTS RCA PIN JACK			
PART NO.		PJ1522-X			
DWG NO.		GT14-300196			
UNITS	SCALE	SHEET	REV		
MM	NONE	1 OF 1	G		