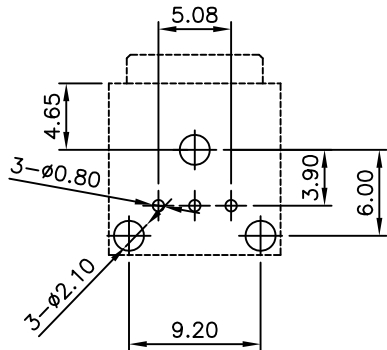
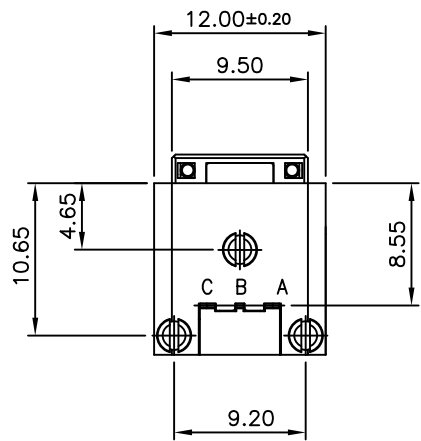
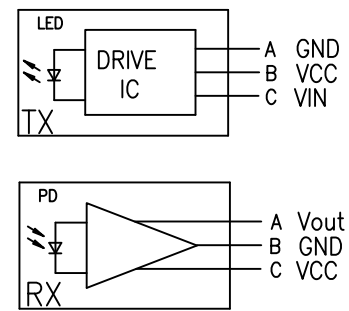


ORDER INFORMATION:
POF-738-X
T: TX DRIVE UNIT
R: RX DRIVE UNIT



RECOMMENDED PCB LAYOUT
<BOTTOM VIEW>



⑥	DRIVE IC(TX or RX UNIT)			1	
⑤	COIL SPRING	SUS 304		2	
④	GATE	PA66		2	
③	FRAME	PA66		1	
②	COVER	PA9T		1	
①	HOUSING	PBT		1	
ITEM	DESCRIPTIONS	MATERIAL	FINISH	Q'TY	NOTE

REV	ECN NO.	NAME	DATE	TOLERANCE	
				LINEAR	ANGLES
D	ADD RX OPTION	Kevin	11/30/10'	LINEAR	ANGLES
C	MODIFY PN	Kevin	11/05/10'	X. ±	X° ± 1°
B	MODIFY BOM TABLE	Kevin	10/26/10'	.X ± 0.40	.X° ±
A	ISSUED	MAX	6/27/06'	.XX ± 0.25	.XX° ±
				.XXX ± 0.15	.XXX° ±

GENESIS TECHNOLOGY, INC
7F, No. 191, Sec. 2
Chung-Yang Rd.,
Tu-Cheng City
Taipei Hsien, Taiwan

APPD: MAT'L:
CHKD: FINISH:
DRWN: MAX Q'TY:

TITLE: OPTICAL JACK

PART NO. C POF-738-X

DWG NO. GTI10-20166

UNITS	SCALE	SHEET	REV
MM	NONE	1 OF 1	D