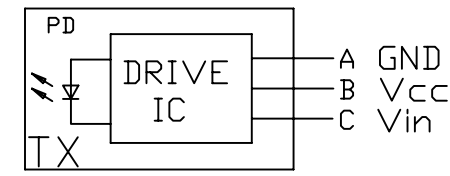
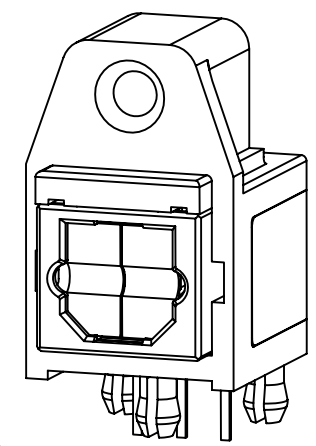
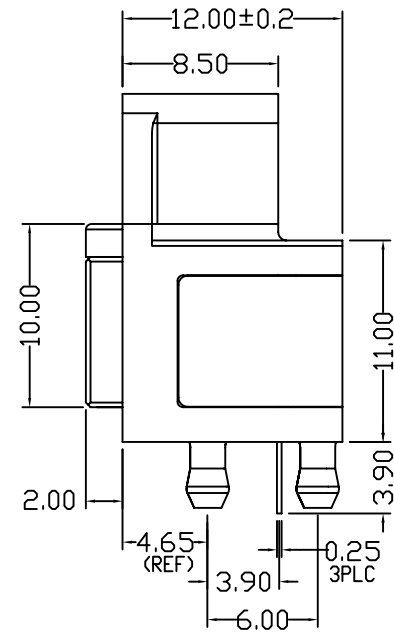
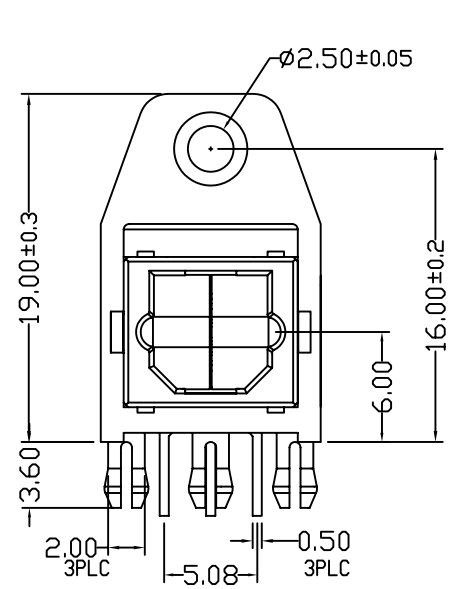


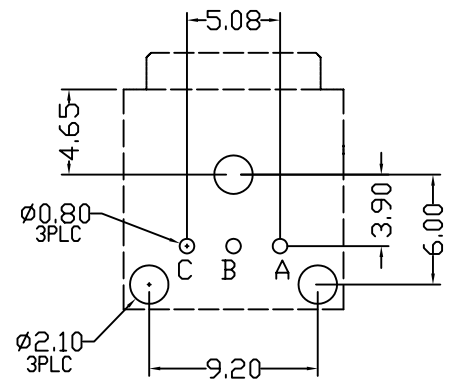
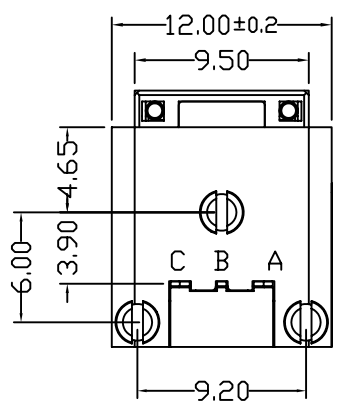
REV.	ECN. NO.	DESCRIPTION	ENG	DATE
A		ISSUED	FOX	11/3/10'



RoHS Compliant

ORDERING INFORMATION
POF-741-X-X

- DRIVE IC
- T. TX, LIME #557C
- R. RX, PINK #701C
- DOOR TYPE
 - A. PLUG
 - B. 2 DOORS
 - C. 1 DOOR



Recommended PCB Layout
<BOTTOM VIEW>

6	DRIVE IC (RX UNIT)	1			
5	COIL SPRING	2	SUS 301		
4	GATE	2	PA66		
3	FRAME	1	PA66		
2	COVER	1	PBT		
1	HOUSING	1	PBT		
ITEM	NAME	QTY	MATERIAL		NOTE

GENERAL TOLERANCE	ANGLE TOLERANCE	DRAWN	DATE	
X.±	X°±	FOX	11/3/10'	
.X±0.25	.X°±	DESIGN	DATE	TITLE.
.XX±0.15	.XX°±	CHECKED	DATE	PART NUMBER.
.XXX±0.05	.XXX°±	APPROVED	DATE	POF-741-X-X
MATL	SEE BOM	SCALE	N/A	DRAWING NO.
FINISH	SEE NOTES	UNIT	mm	GTI10-30129
SHEET 1	OF			SIZE A4
				REV. A