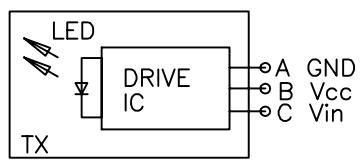
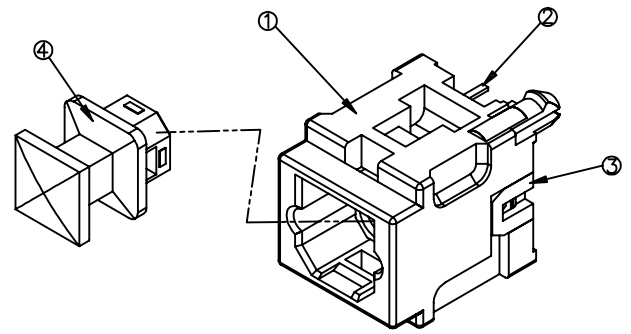


RECOMMENDED PCB LAYOUT
 <BOTTOM VIEW>
 NOTE : TOLERANCE FOR PCB LAYOUT IS ± 0.05



TRANSMITTER

ITEM	DESCRIPTIONs	MATERIAL	FINISH	Q'TY	NOTE
④	FITTING	THERMOPLASTIC		1	BLACK
③	IP2 COVER	HIGH TEMP PLASTIC		1	BLACK
②	DRIVE IC	TX / RX UNIT		1	
①	IP1 HOUSING	THERMOPLASTIC		1	NOTE

TOLERANCE	
LINEAR	ANGLES
X.±	X'±
.XX±0.15	.XX'±
.XXX±0.05	.XXX'±



TITLE			
OPTICAL JACK RECTANGULAR TYPE			
PART NO.	[B] POF-742-X		
DWG NO.	GTI10-30150		
UNITS	SCALE	SHEET	REV
MM	NONE	1 OF 1	B

[B]	CORRECTED PART NUMBER	FOX	DATE	TOLERANCE	APPD:	MAT'L:
[A]	ISSUED	MAX	6/27/06'	.XX±0.15	CHKD:	FINISH:
REV	ECN NO.	NAME	DATE	.XXX±0.05	DRWN: MAX	Q'TY: