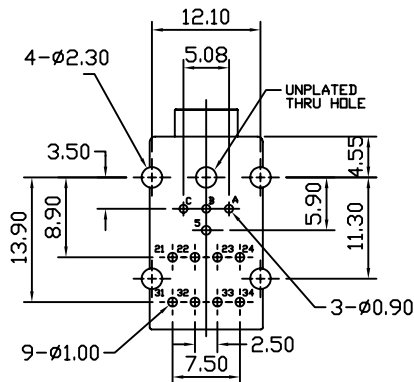
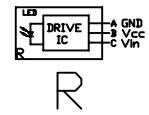
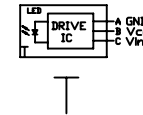
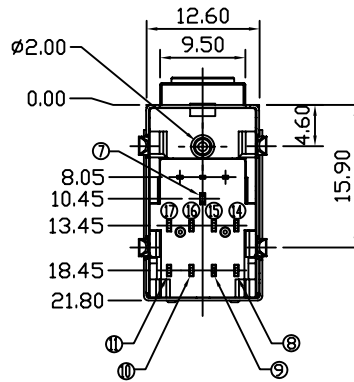


NOTE:(01)  
 A:BLACK  
 B:ORANGE 157 C  
 C:GREEN 577 C



Recommended PCB Layout  
 <BOTTOM VIEW>  
 NOTE: ±0.2 FOR PCB LAYOUT



ITEM	DESCRIPTIONs	MATERIAL	FINISH	Q'TY	NOTE
20	DRIVE IC (TX)			1	
19	FREAM	PA66		1	
18	GATE	PA66		2	#577C
17	SOLDERING LEAD	BRASS	TIN	1	
16	LEAD/SHUNT	BRASS	TIN	1	
15	LEAD/SHUNT	BRASS	TIN	1	
14	SOLDERING LEAD	BRASS	TIN	1	
13	R-CONTACT	PBS	TIN/AU	2	
12	T-CONTACT	PBS	TIN/AU	2	
11	LEAD/SHUNT	BRASS	TIN	1	
10	LEAD/SHUNT	BRASS	TIN	1	
9	LEAD/SHUNT	BRASS	TIN	1	
8	LEAD/SHUNT	BRASS	TIN	1	
7	GND CONTACT	BRASS	TIN	1	
6	SHIELD[FRONT]	BRASS	TIN	1	
5	SHIELD [BACK]	BRASS	NI	1	
4	COVER	PBT		1	
3	HOUSING-3	PBT		1	
2	HOUSING-2	PBT		1	#157C
1	HOUSING-1	LCP		1	

TOLERANCE	
LINEAR	ANGLES
X.±	X'±



TITLE  
 3.5mm TRIPPLE STACK EARPHONE  
 JACK PHASE 2 W/DATALINK

PART NO. [B] POF-743-X

DWG NO. GT10-30133

REV	ECN NO.	NAME	DATE	.XXX±0.05	.XXX'±	DRWN: MAX	Q'TY:
[A]		ISSUED	6/27/06'	.XX±0.15	.XX'±	CHKD:	FINISH:
[B]		CORRECTED PART NUMBER	11/3/10'	.X±0.25	.X'±	APPD:	MAT'L:

UNITS	SCALE	SHEET	REV
MM	NONE	1 OF 1	B