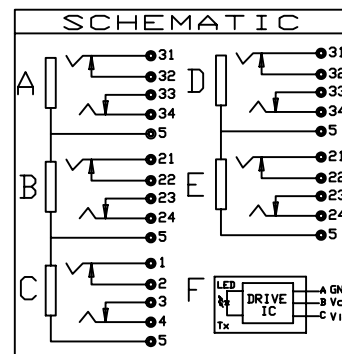
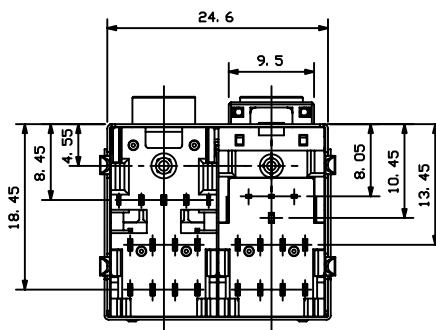


Recommended PCB Layout  
 <Bottom View>  
 NOTE: ±0.2 FOR PCB LAYOUT



NOTE : 03

- A: BLUE 284 C
- B: LIME 577 C
- C: PINK 701 C
- D: BLACK 426 C
- E: ORANGE 157 C
- F: LIME 577 C

TOLERANCE	
LINEAR	ANGLES
X.±	X°.±



TITLE ∅3.5mm EARPHONE JACK  
 W/ DATALINK

PART NO. [B] POF-746

DWG NO. GTI10-30134

[B]	CORRECTED PART NUMBER	FOX	11/3/10'
[A]	ISSUED	MAX	6/27/06'
REV	ECN NO.	NAME	DATE

.X±0.25	.X°.±	APPD:	MAT'L:
.XX±0.15	.XX°.±	CHKD:	FINISH:
.XXX±0.05	.XXX°.±	DRWN: MAX	Q'TY:

	UNITS	SCALE	SHEET	REV
	MM	NONE	1 OF 1	B