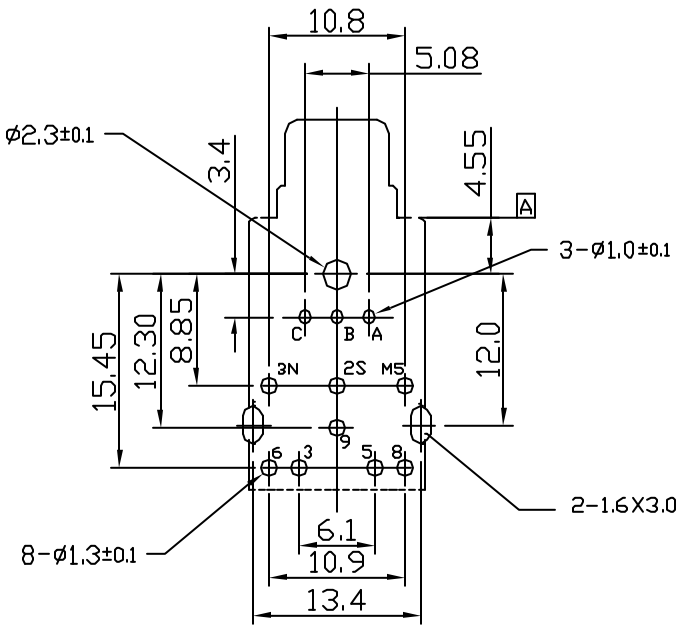
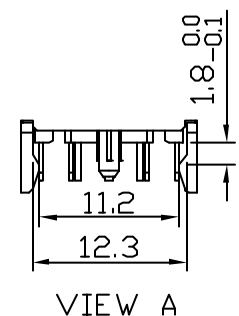
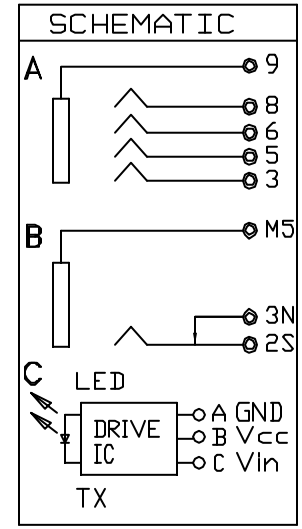
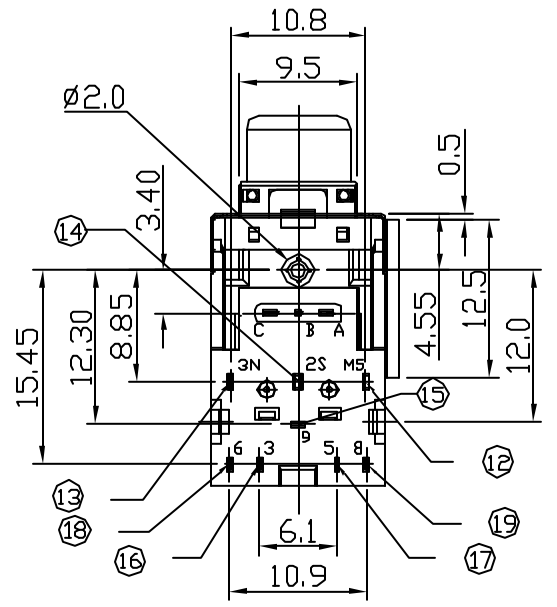


NOTE: OPTION COLORS

COLOR		
MINI DIN	RCA	OPTO
BLACK	Orange #157C	GREEN #577C



Recommended PCB Layout  
◀BOTTOM VIEW▶



ITEM	DESCRIPTIONs	MATERIAL	FINISH	Q'TY	NOTE
20	CONTACT	PBS	Tin/Au	4	
19	CONTACT,8	BRASS	Tin	1	
18	CONTACT,6	BRASS	Tin	1	
17	CONTACT,5	BRASS	Tin	1	
16	CONTACT,3	BRASS	Tin	1	
15	GROUND,S2	BRASS	Tin	1	
14	CONTACT 2S,RCA	BRASS	Tin	1	
13	CONTACT 3N,RCA	PBS	Tin	1	
12	CONTACT 20,RCA	BRASS	Tin	1	
11	DRIVE IC (TX)			1	
10	GROUND	BRASS	Ni	1	
9	SHIELD	BRASS	Ni	1	
8	BUSHING,RCA	BRASS	Ni	1	
7	SPRING,OPTO	SUS 301		1	
6	GATE,OPTO	PA66	UL94V-0	1	
5	COLOR RING	PBT	UL94V-0	1	
4	FRAME,OPTO	PA66	UL94V-0	1	
3	HOUSING,BASE COVER	PA46	UL94V-0	1	
2	HOUSING	PBT	UL94V-0	1	
1	HOUSING,OPTO	PBT	UL94V-0	1	

TOLERANCE	
LINEAR	ANGLES
X.±	X'.±
.X±0.3	.X*±
.XX±0.2	.XX*±
.XXX±	.XXX*±

**GENESIS TECHNOLOGY, INC**  
1015 GRANT STREET S.E.  
ATLANTA, GA 30315

TITLE: 3-STACKED JACK S-TERMINAL/RCA/OPTICAL			
PART NO.	POF-757		
DWG NO.	SC-10065		
UNITS	SCALE	SHEET	REV
MM	NONE	1 OF 1	A

A	ISSUED	AXL	8/22/05
REV	ECN NO.	NAME	DATE