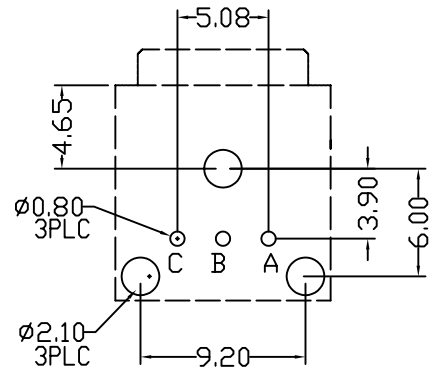
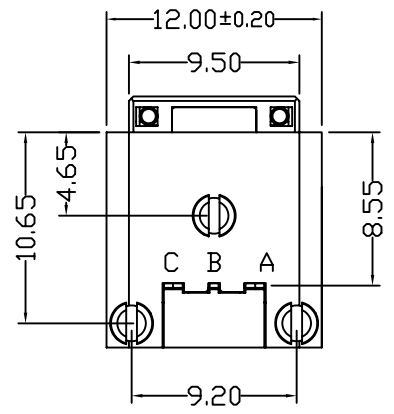


[B] ORDERING INFORMATION
 POF-740-X-X

- DRIVE IC
 - T. TX, LIME #557C
 - R. RX, PINK #701C
- DOOR TYPE
 - A. PLUG
 - B. 2 DOORS
 - C. 1 DOOR



Recommended PCB Layout
 <BOTTOM VIEW>

6	DRIVE IC	1		
5	COIL SPRING	2	SUS 301	
4	GATE	2	PA66	
3	FRAME	1	PA66	
2	COVER	1	PBT	
1	HOUSING	1	PBT	
NO.	DESCRIPTION	Q'TY	MATERIAL	P/N

				TOLERANCE				TITLE						
				LINEAR	ANGLES			OPTICAL JACK						
[C]	UPDATED DRAWING	FOX	11/3/10	X.±	X'.±	APPD:		PART NO.		POF-740-X-X				
[B]	ADDED ORDERING INFORMATION	FOX	2/8/10'	.X±0.25	.X'±	MAT'L:		DWG NO.		GT110-30018				
[A]	ISSUED	MAX	6/27/06'	.XX±0.15	.XX'±	CHKD:		FINISH:			UNITS	SCALE	SHEET	REV
REV	ECN NO.	NAME	DATE	.XXX±0.05	.XXX'±	DRWN: MAX		Q'TY:			MM	NONE	1 OF 1	C