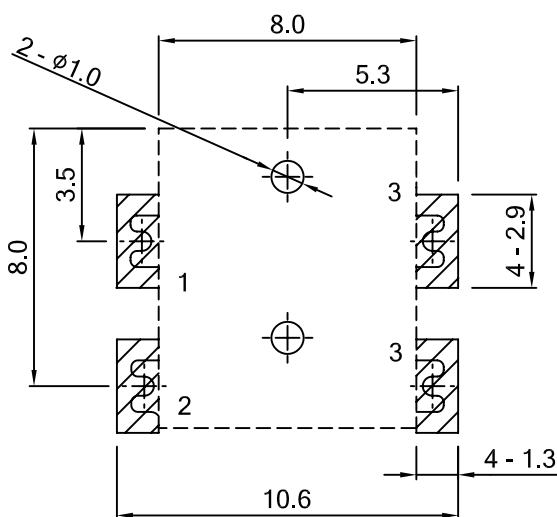
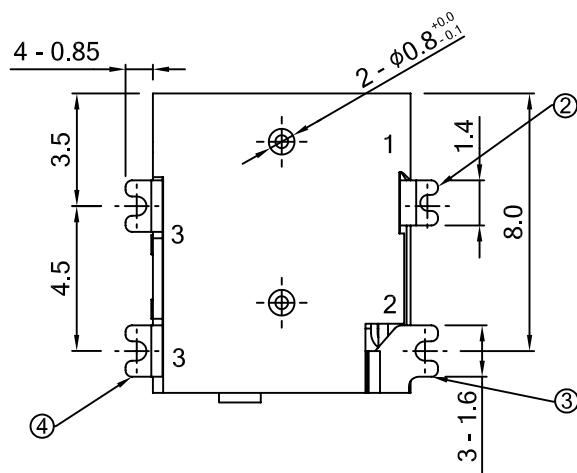


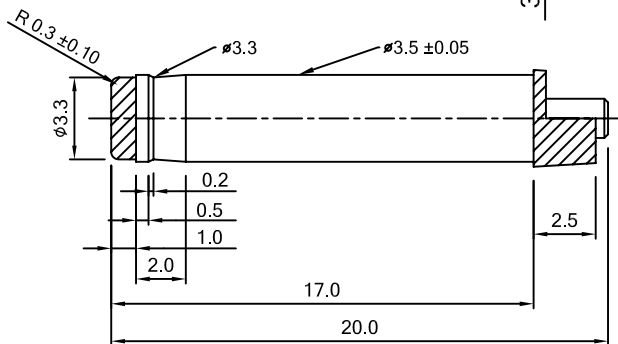
| SCHEMATIC | PIN# | PART NO. |
|-----------|------|----------|
|           | 3    | SDC210-A |
|           | 2    | SDC210-B |
|           | 1    | SDC210-B |



RECOMMENDED PADS LAYOUT  
< TOP VIEW >  
NOTE: TOLERANCE FOR PCB LAYOUT IS =  $\pm 0.05$

**[B] NOTES:**

1. RATINGS
  - a. VOLTAGE RATING: 24 V DC
  - b. CURRENT RATING: 3.0 AMPERE
  - c. OPERATING TEMPERATURE:  $-25^{\circ}\text{C} \sim +85^{\circ}\text{C}$
2. ELECTRICAL
  - a. CONTACT RESISTANCE: PLUG TO CONTACT 50m $\Omega$  MAX  
CONTACT TO SHUNT 30m $\Omega$  MAX
  - b. INSULATION RESISTANCE: 100 M OHMS MIN
  - c. DIELECTRIC WITHSTANDING VOLTAGE: 250 V AC/RMS
3. RESISTANCE TO SOLDERING HEAT:  $250^{\circ}\text{C} \pm 5^{\circ}\text{C}$  FOR 20 ~ 40 SECONDS
4. RoHS 6 / 6 COMPLIANT



| ITEM | DESCRIPTION    | MATERIAL        | Q'TY | FINISH                           |
|------|----------------|-----------------|------|----------------------------------|
| 5    | CENTER PIN     | BRASS           | 1    | Ni 30u" MIN                      |
| 4    | PIN CONTACT    | BRASS           | 1    | SILVER 30u" MIN OVER Ni 30u" MIN |
| 3    | SHUNT TERMINAL | BRASS           | 1    | SILVER 30u" MIN OVER Ni 30u" MIN |
| 2    | SPG CONTACT    | PHOSPHOR BRONZE | 1    | SILVER 30u" MIN OVER Ni 30u" MIN |
| 1    | HOUSING        | LCP, UL94V-0    | 1    |                                  |

| TOLERANCE |             |
|-----------|-------------|
| LINEAR    | ANGLES      |
| X. $\pm$  | X' $\pm$ 5' |



TITLE:  $\phi 1.0 / \phi 1.3\text{mm}$  DC POWER JACK

PART NO. SDC210-X

DWG NO. SC-10193

| REV | ECN NO.                      | NAME | DATE      | .XXX $\pm$     | .XXX' $\pm$ |
|-----|------------------------------|------|-----------|----------------|-------------|
| [B] | CORRECTED BOM<br>ADDED NOTES | FOX  | 6/27/11'  | .X $\pm 0.30$  | .X' $\pm$   |
| [A] | ISSUED                       | AXL  | 11/22/05' | .XX $\pm 0.20$ | .XX' $\pm$  |

|           |         |
|-----------|---------|
| APPD:     | MAT'L:  |
| CHKD:     | FINISH: |
| DRWN: AXL | Q'TY:   |

| UNITS | SCALE | SHEET  | REV |
|-------|-------|--------|-----|
| MM    | NONE  | 1 OF 1 | B   |