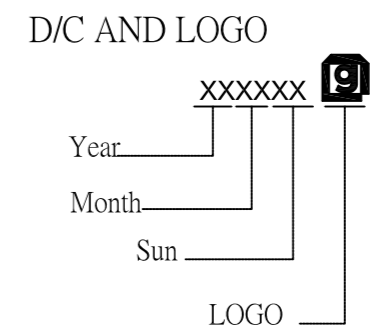

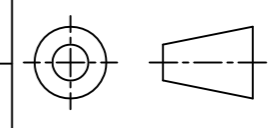
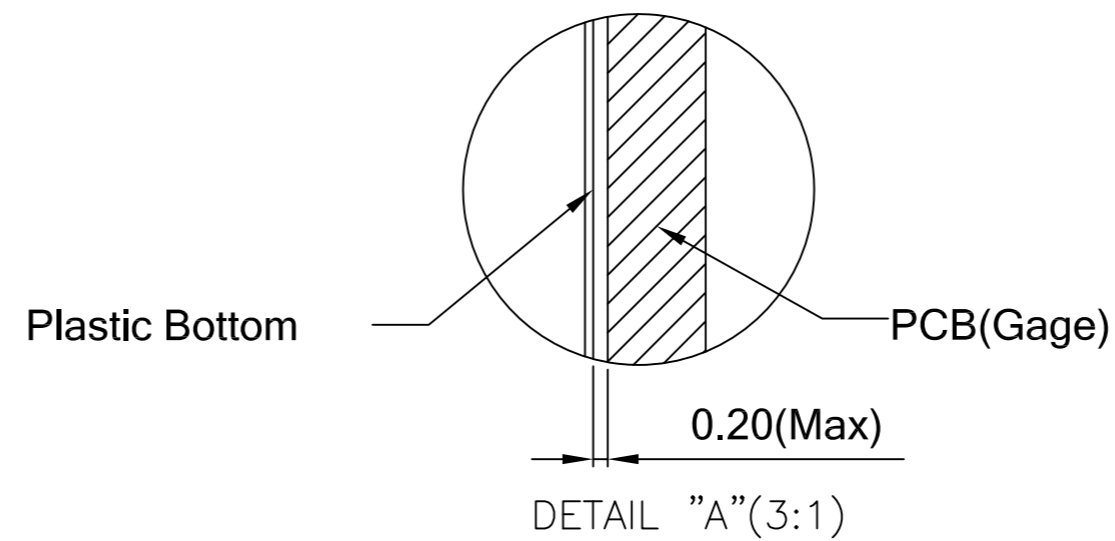
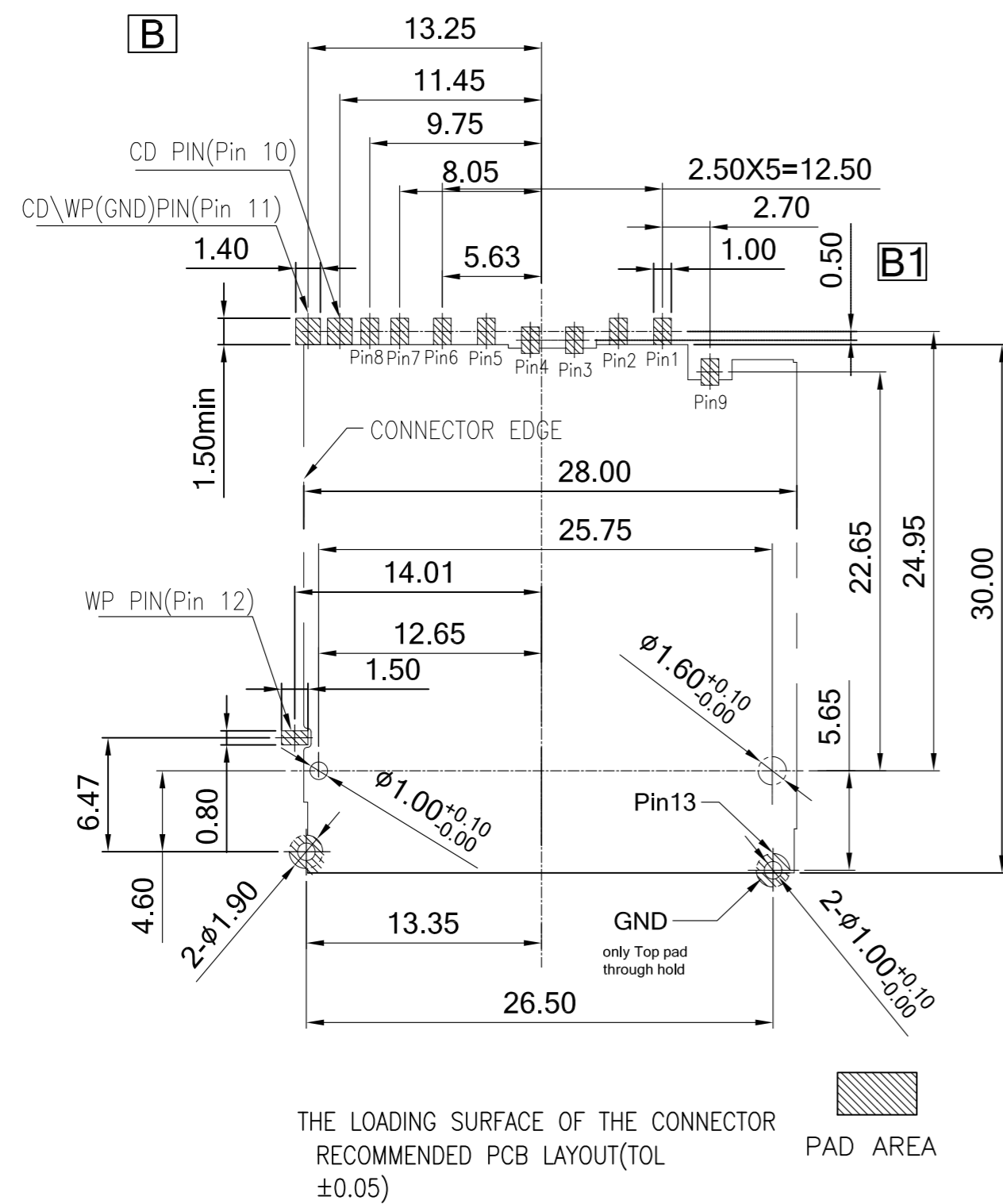


- B** Specification
- \*Electrical Characteristics:
    - Contact Current Rating: 0.5 Amperes.
    - Dielectric Withstanding Voltage: AC500V r.m.s.
    - Insulation Resistance: 1000 MΩ Minimum.
    - Contact Resistance: 100 mΩ Maximum.
  - \*Environmental:
    - Operating Temperature: -25°C~+85°C.
  - \*Environmental:
    - Mating Cycles: 10,000 Insertions.
  - \*Mechanical Characteristics:
    - Card Push Insertion/Out Force: 1kgf Maximum.
    - Contact Separation Force: 0.15kgf Minimum.
  - \*Material:
    - Insulator: LCP+30%G.F., UL 94V-0 Rated.
    - Contact: Phosphor Bronze(t=0.20mm).
    - Shell: Stainless Steel(t=0.20mm).
    - Grounding: Phosphor Bronze(t=0.30mm).
    - Spring: SWPB.
  - B2** \*Plating:
    - Contact: Gold Flash on Contact Area, Tin 80u" Min. on Solder Tail, Nickel 50u" Min. Underplating
    - Shield: Nickel 30u" Min. Plated
  - \*Soldering Profile:
    - 260°C / 5 Sconds Min.
  - \*Fully Compliant to SD Card Standard Mechanical Addendum V3.00
  - \*RoHS 6/6 Compliant



				TOLERANCE		 7F, No. 191, Sec. 2 Chung-Yang Rd., Tu-Cheng City Taipei Hsien, Taiwan A Genesis Electro-Mechanical Company		TITLE: SD CARD PUSH PUSH TYPE				
				LINEAR	ANGLES			PART NO. SDCR-2109-BA13R1C				
<b>B2</b>	ADDED NOTES, LOGO AND D/C MODIFIED 2 PLACES	Jeff	02/23/11'	X. ±	X° ± 3°	APPD:	MAT'L:	DWG NO.	GTi09-25079			
<b>B1</b>	ADD DIMENSION OF OFFSET	AXL	02/17/11'	.X ± 0.38	.X° ±	CHKD:	FINISH:		UNITS	SCALE	SHEET	REV
<b>B</b>	REVISE DRAWING	Vegas	02/10/11'	.XX ± 0.25	.XX° ±	DRWN: Vegas	Q'TY:		MM	NONE	1 OF 3	B2
<b>A</b>	ISSUED	Vegas	07/01/09'	.XXX ± 0.10	.XXX° ±							
REV.	ECN NO.	NAME	DATE									



When put finished product on PCB(Gage),The gap between plastic bottom to PCB(Gage) is 0.20mm Max

### Pin Define

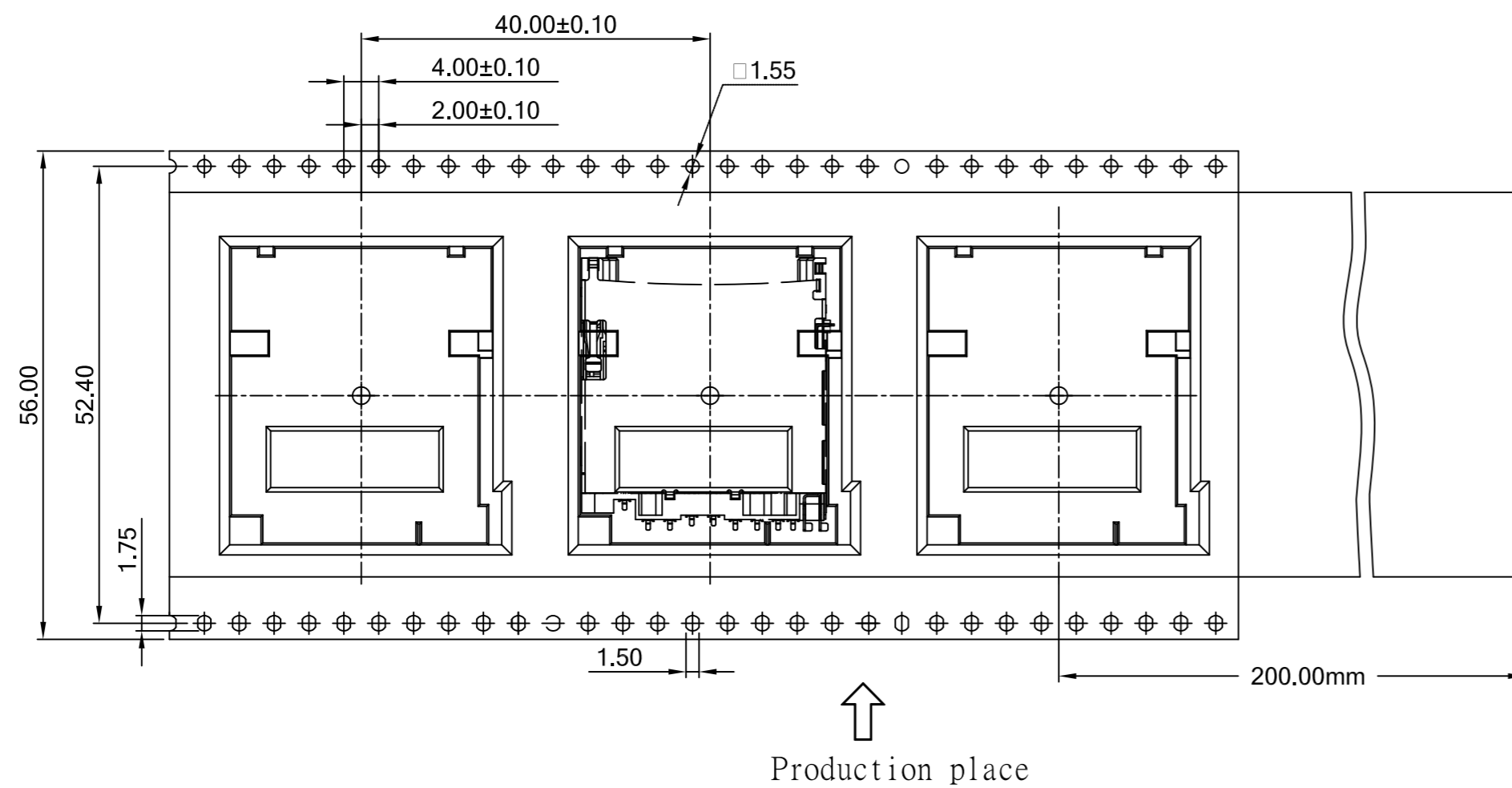
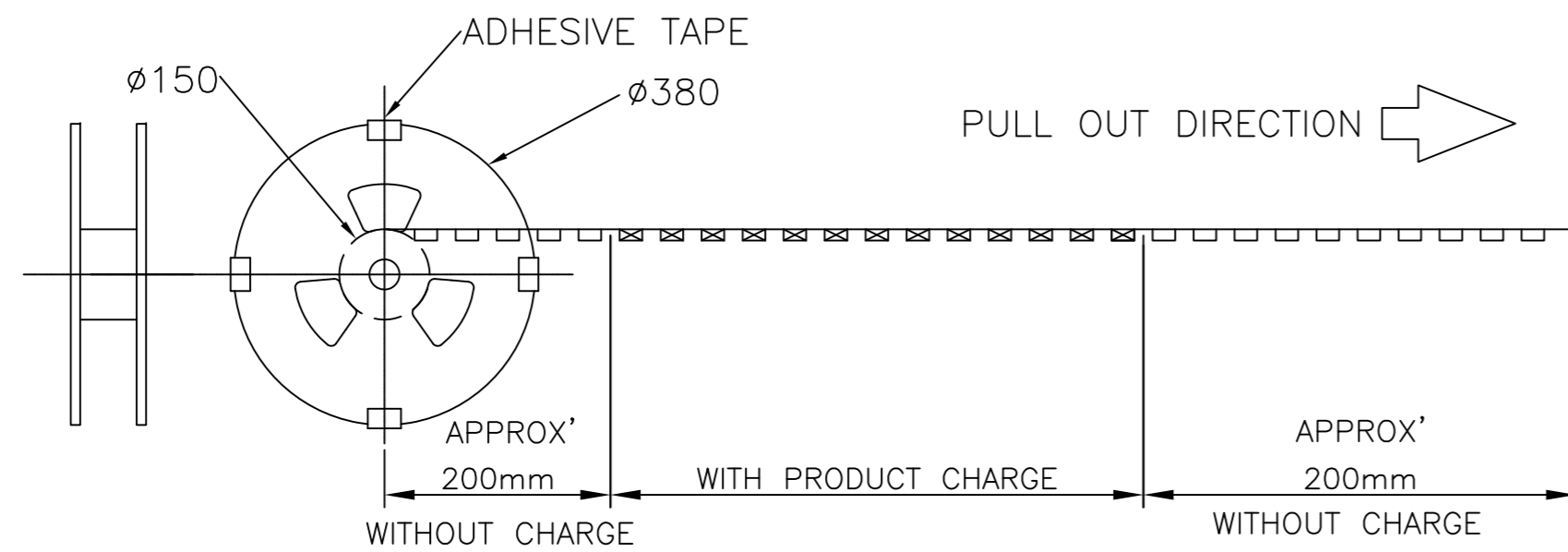
Pin No.	NAME	Pin No.	NAME
1	CD/DAT3	8	DAT1
2	CMD	9	DAT2
3	Vss1	10	CD Pin
4	VDD	11	CD\WP(GND)Pin
5	CLK	12	WP Pin
6	Vss2	13	GND
7	DAT0	14	EMPTY PIN

**B** ORDER INFORMATION  
 SDCR-21 09 - B A 1 3 R 1C  
 ① ② ③ ④ ⑤ ⑥ ⑦ ⑧

1. CONNECTOR:  
SDCR: SD CARD R/A CONNECTOR
2. TYPE:  
21: PUSH PUSH TYPE
3. POSITIONS  
09: 9 POSTIONS
4. INSULATOR MATERIAL  
B: LCP
5. INSULATOR COLOR  
A: Beige
6. CONTACT PLATING  
**B2** 1: Contact Area Gold Flash  
 Solder Tail Tin Plated
7. SHIELD PLATING  
 3: SUS, Over Ni Plated,  
 Solder Area Flash Gold
8. PACKING  
 R: Tape Reel

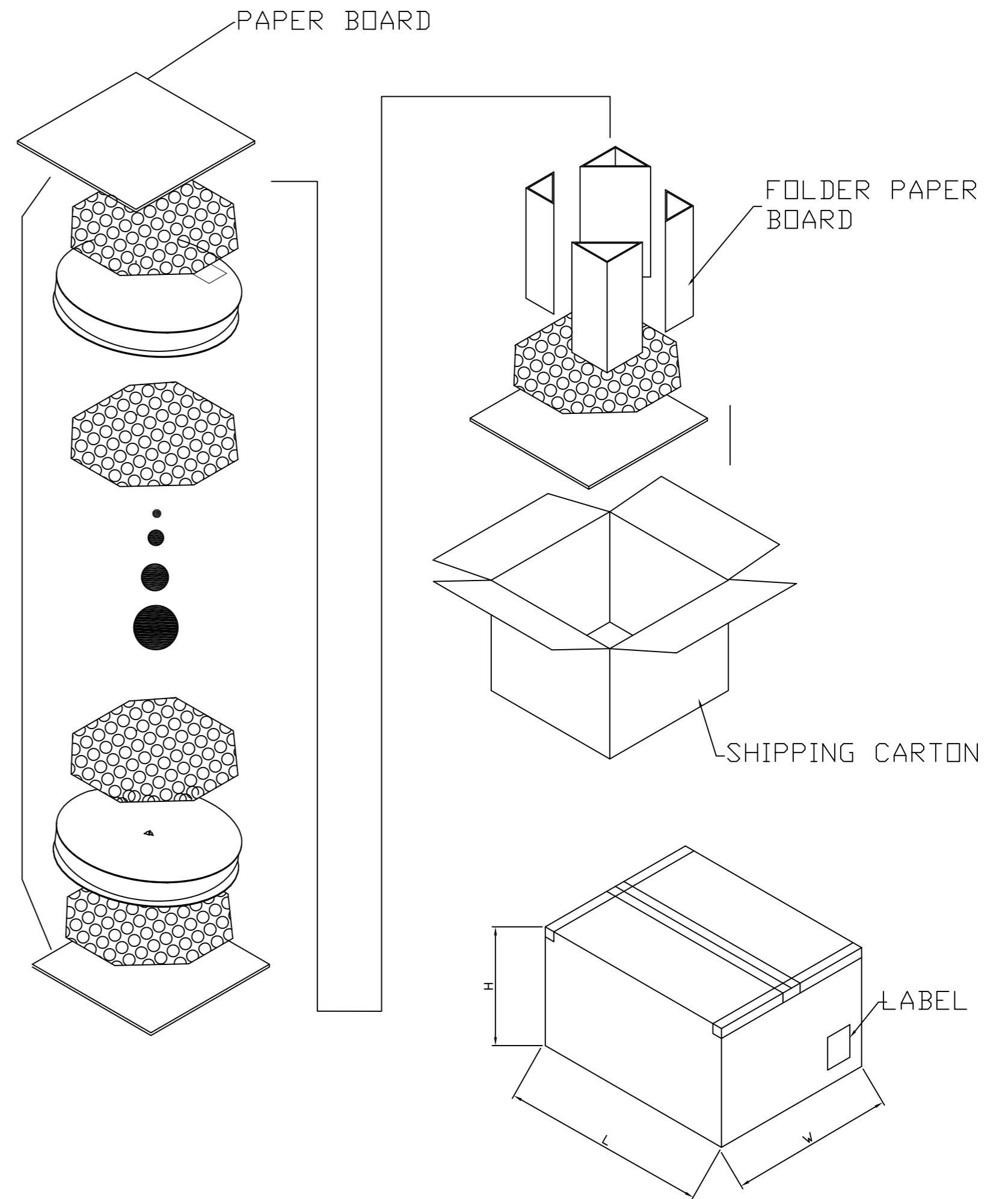
PART NO.	SDCR-2109-BA13R1C	SHEET	REV
DWG NO.	GTi09-25079	2 OF 3	SEE SHEET 1

**B**



**PACKING INFORMATION**

PART NAME	SDCR-2109-BA13R1C
QUANTITY OF PER TRAY	300PCS/RELL
QUANTITY OF PER CARTON	6*300=1800PCS/CARTON
WEIGHT OF PER TRAY	(300*0.00179kg)+0.65kg=1.187Kg/TRAY
WEIGHT OF PER CARTON (NET WEIGHT)	6*300*0.00179kg=3.222Kg
GROSS WEIGHT	7.122+1.00=8.122Kg
SIZE	39.5*39.5*39.5cm



PART NO.	SDCR-2109-BA13R1C	SHEET	REV
DWG NO.	GTi09-25079	3 OF 3	SEE SHEET 1