

1 2 3 4 5 6 7 8

A

B

C

D

E

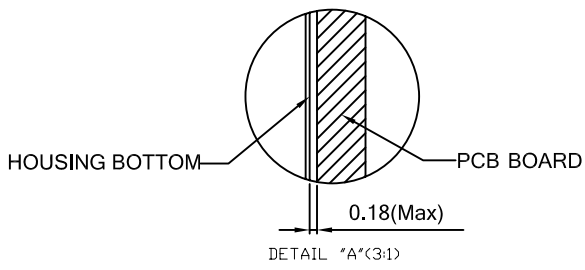
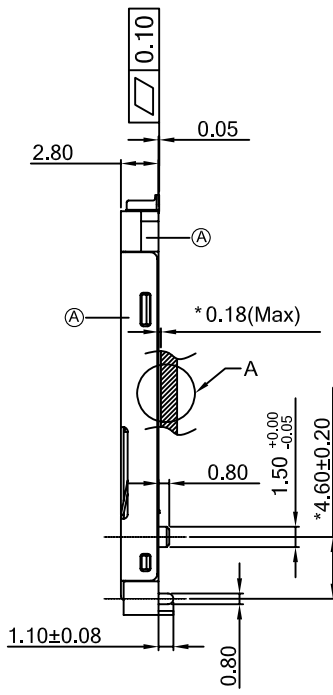
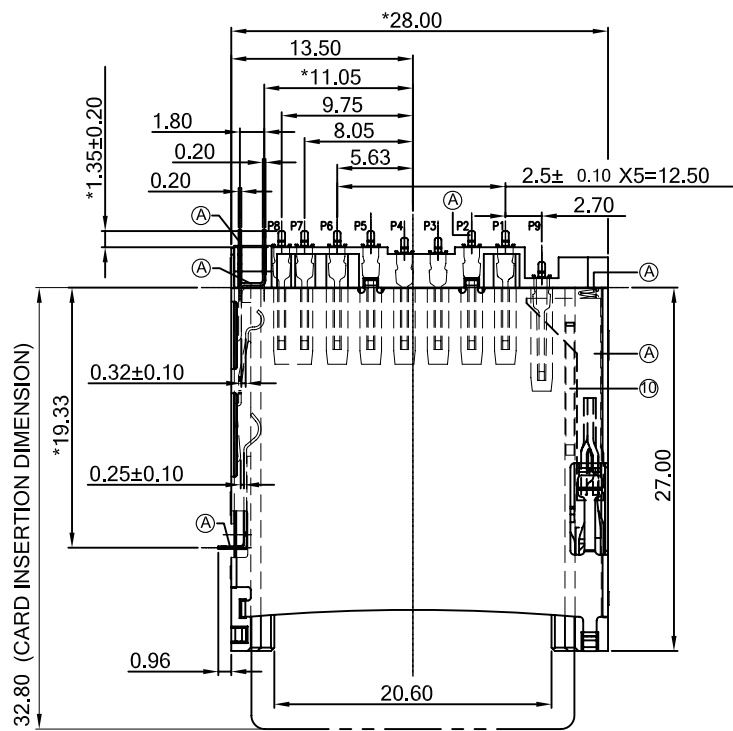
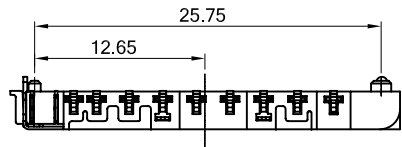
A

B

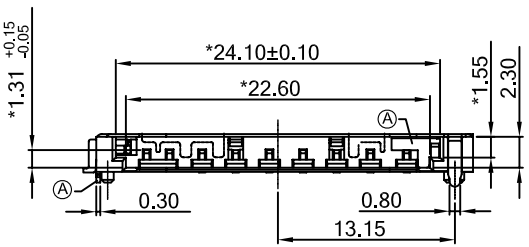
C

D

E



When product place on the PCB board, housing bottom between the PCB board distance is 0.18 Max.



RoHS Compliant

10	HOOK (0.35*8.10*1.15*1.64)	SUS	1PCS
9	SD P-P SPRING	WIRE	1PCS
8	TD-SD PUSH HOUSING	LCP	1PCS
7	MJ-SD (P-P) SLIDER	NYLON	1PCS
6	TD-SD PUSH PUSH CD TERMINAL (BENDING)	C5191	1PCS
5	TD-SD PUSH PUSH CD/WP TERMINAL (BENDING)	C5191	1PCS
4	TD-SD PUSH PUSH WP TERMINAL	C5191	1PCS
3	TD-SD P-P SD TERMINAL	C5191	1PCS
2	SD P-P METAL SHIELD	SUS304	1PCS
1	TD-SD PUSH PUSH GROUND SHIELD	C5191	1PCS
ITEM	Part No	Material	Pcs

TOLERANCE	
LINEAR	ANGLES
X ±	X° ± 2°
.X ± 0.25	.X° ±
.XX ± 0.15	.XX° ±
.XXX ± 0.08	.XXX° ±

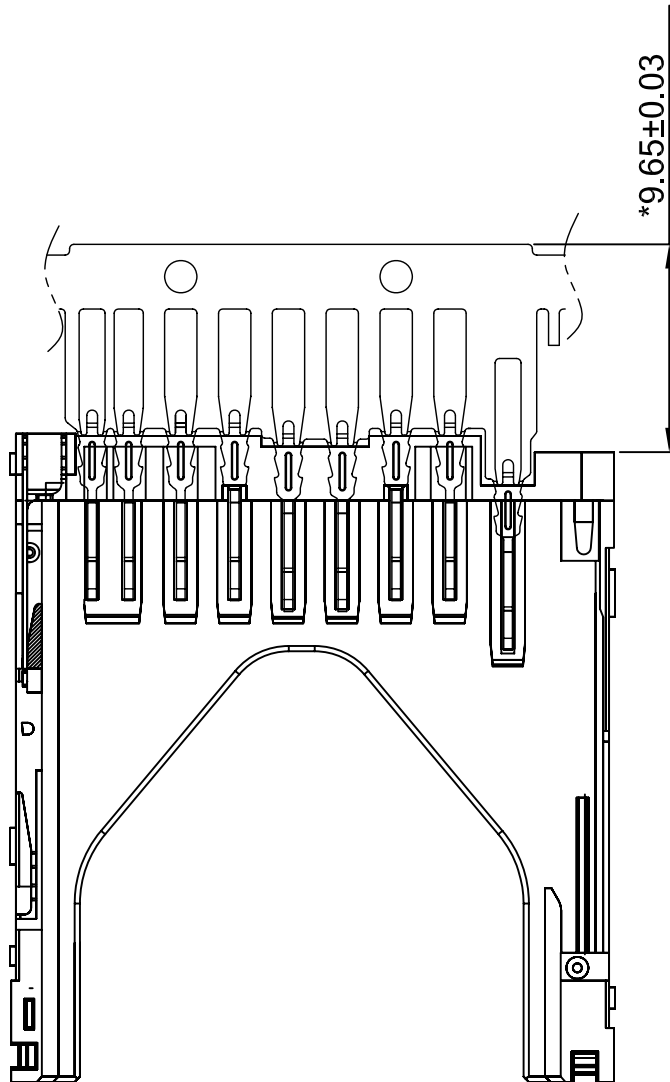
**GENESIS TECHNOLOGY, INC.**  
7F, No. 191, Sec. 2  
 Chung-Yang Rd.,  
 Tu-Cheng City,  
 Taipei Hsien, Taiwan  
 A Genesis Electro-Mechanical Company

APPD: MAT'L:  
 CHKD: FINISH:  
 DRWN: Vegas Q'TY:

TITLE: SD CARD PUSH PUSH TYPE			
PART NO. SDCR-2109-BK9ST1C			
DWG NO. GTI09-25079			
UNITS	SCALE	SHEET	REV
MM	NONE	1 OF 2	A

[A]	ISSUED	Vegas	07/01/09
REV.	ECN NO.	NAME	DATE

1 2 3 4 5 6 7 8



ORDER INFORMATION

SDCR- 21 09 - B K 9 S T 1P

① ② ③ ④ ⑤ ⑥ ⑦ ⑧

1. CONNECTOR:  
SDCR: SD CARD R/A CONNECTOR
2. TYPE:  
21: PUSH PUSH TYPE
3. POSITIONS  
09: 9 POSTIONS
4. INSULATOR MATERIAL  
B: LCP
5. INSULATOR COLOR  
K: BLACK
6. CONTACT PLATING  
9: ALL GOLD FLASH 1u" PLATING
7. SHIELD PLATING  
S: SUS, NONE-PLATING
8. PACKING  
T: TRAY PACKING

PART NO.	SDCR-2109-BK9ST1C	SHEET	REV
DWG NO.	GTI09-25079	2 OF 2	SEE SHEET 1